



Installation instructions, accessories

Volvo Car Corporation Gothenburg, Sweden

Instruction No	Version	Part. No.
31408456	1.3	31399352

Parking assistance, pilot



Installation instructions, accessories

Volvo Car Corporation Gothenburg, Sweden

Special tools

	<p>999 7234 Hole stamp</p> <p>Tool number:999 7234</p> <p>Tool description:Hole stamp</p> <p>Tool boards:80</p>
	<p>951 2950 Glue gun (kit)</p> <p>Tool number:951 2950</p> <p>Tool description:Glue gun (kit)</p> <p>Tool boards:08</p>
	<p>951 2932 Tension spring</p> <p>Tool number:951 2932</p> <p>Tool description:Tension spring</p> <p>Tool boards:80</p>

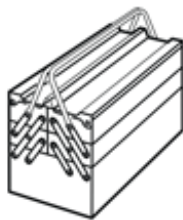
Materials

Designation	Part number
Isopropanol	1161721
Sand paper P1000	
Volvo Original Touch-up paint	
Varnish 2-component	31335447
Primer	1161765
Mixing pipe	1161730
Glue	9511027
Electrical tape	

Equipment

VIDA

IMG-242205

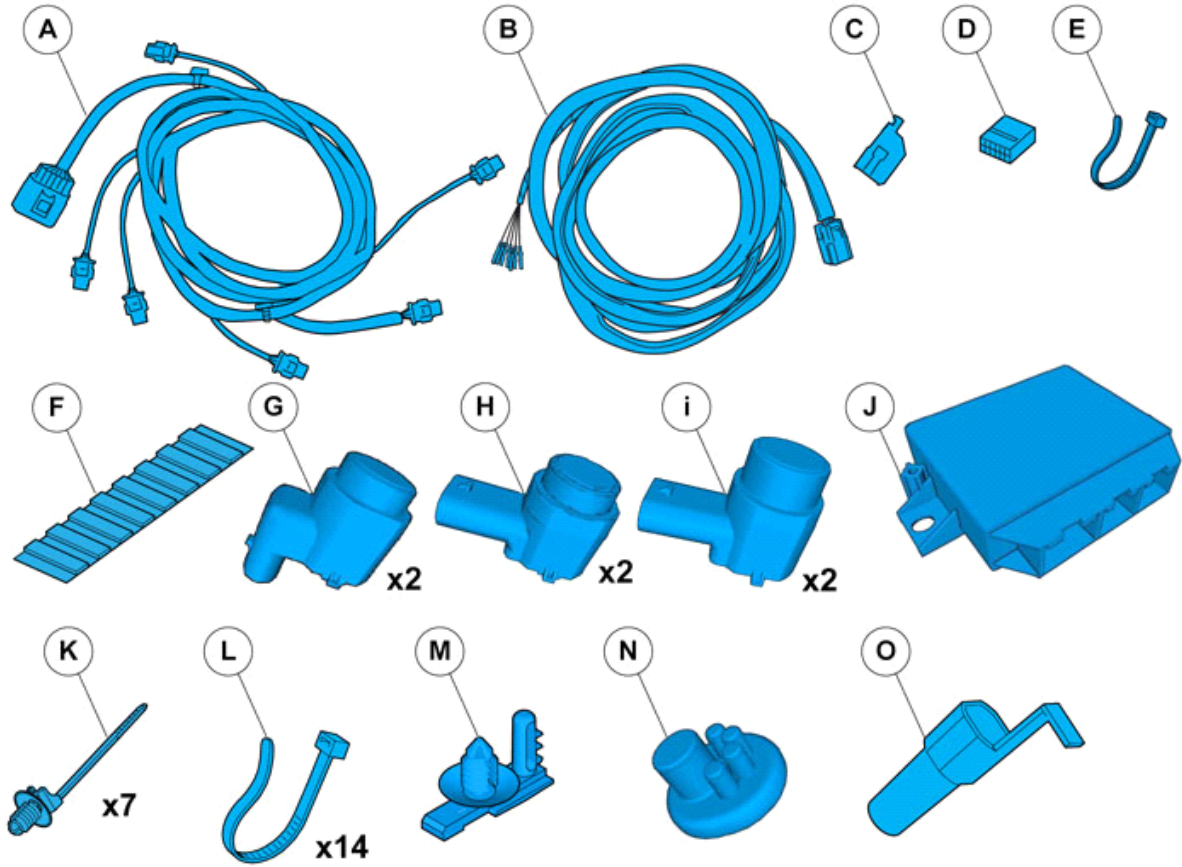


A0000162



Installation instructions, accessories

Volvo Car Corporation Gothenburg, Sweden

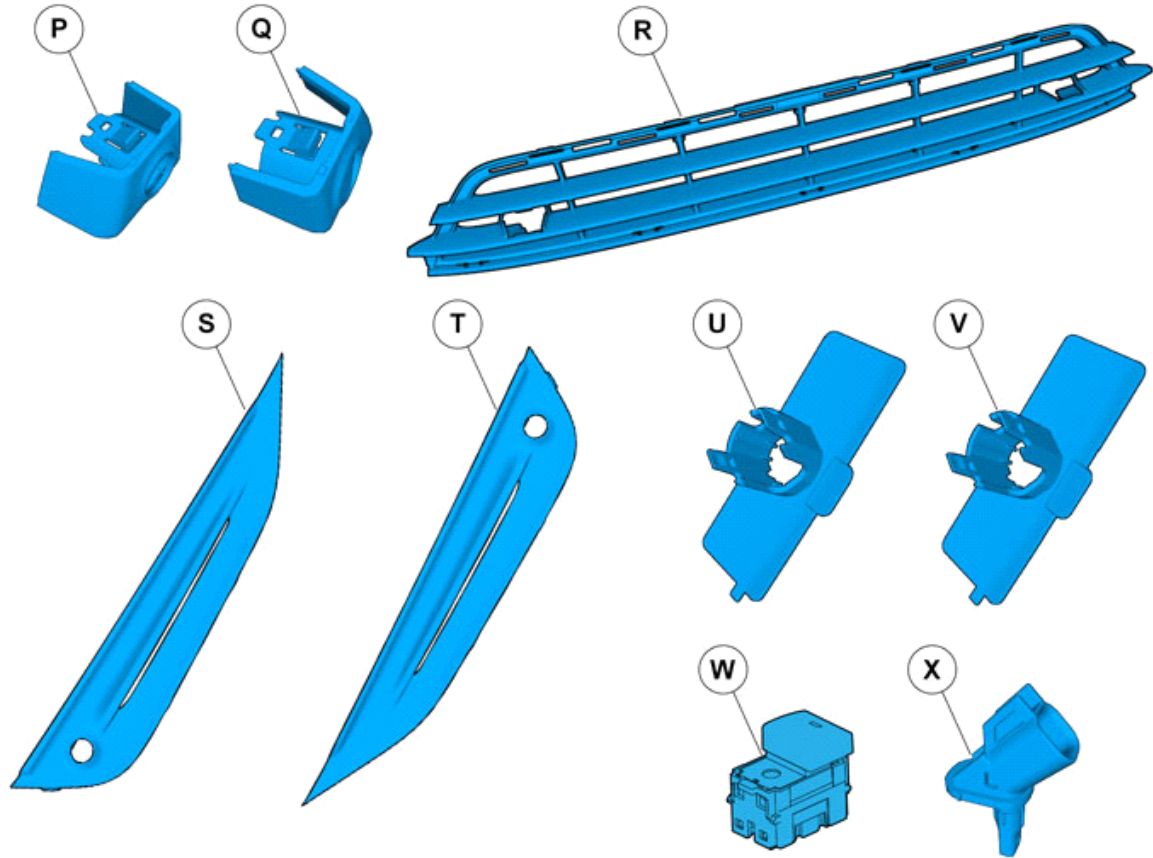


IMG-380113



Installation instructions, accessories

Volvo Car Corporation Gothenburg, Sweden



IMG-380114



Installation instructions, accessories

Volvo Car Corporation Gothenburg, Sweden

36656-2

Parking assistance, front, R-design

Information

1

Read through all of the instructions before starting installation.

Notifications and warning texts are for your safety and to minimise the risk of something breaking during installation.

Ensure that all tools stated in the instructions are available before starting installation.

Certain steps in the instructions are only presented in the form of images. Explanatory text is also given for more complicated steps.

In the event of any problems with the instructions or the accessory, contact your local Volvo dealer.

Further information

2

These installation instructions show installation on left hand drive cars.

When installing on right-hand drive cars, perform the procedures on the opposite side and/or mirrored.

Where the procedure differs, the right-hand version is also shown with text and image.

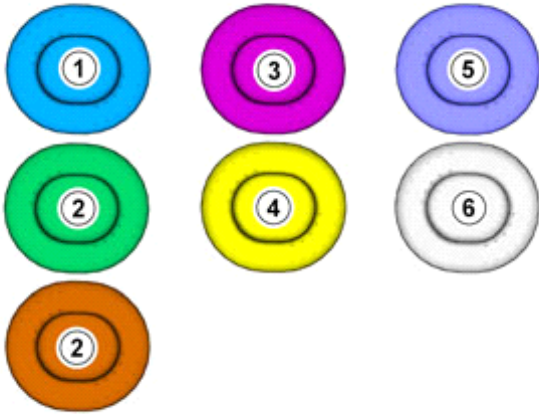
Color symbols



Installation instructions, accessories

Volvo Car Corporation Gothenburg, Sweden

3



IMG-363036

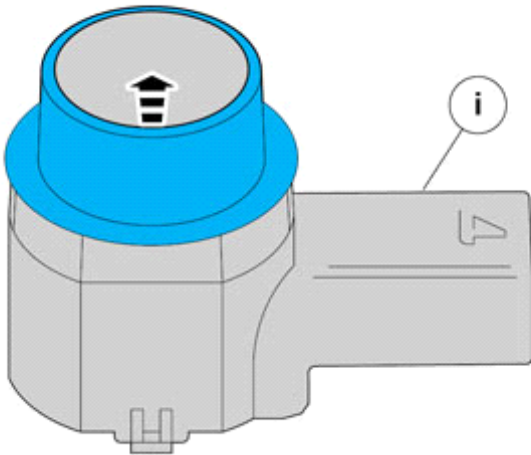
Note!

This colour chart displays (in colour print and electronic version) the importance of the different colours used in the images of the method steps.

1. Used for focused component, the component with which you will do something.
2. Used as extra colors when you need to show or differentiate additional parts.
3. Used for attachments that are to be removed/installed. May be screws, clips, connectors, etc.
4. Used when the component is not fully removed from the vehicle but only hung to the side.
5. Used for standard tools and special tools.
6. Used as background color for vehicle components.

Paintwork

4



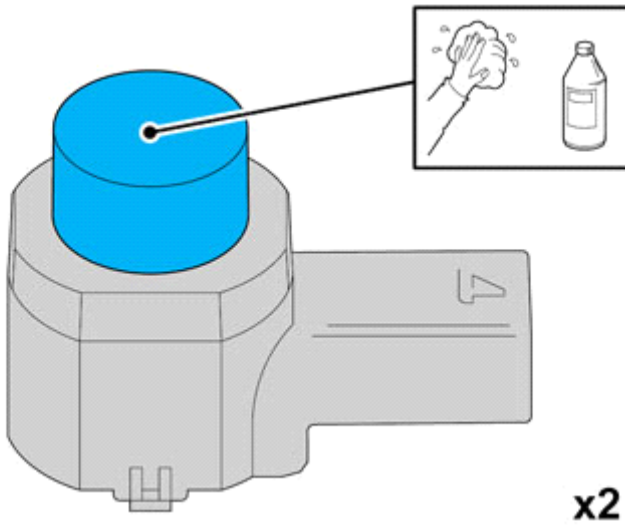
IMG-380122



Installation instructions, accessories

Volvo Car Corporation Gothenburg, Sweden

5



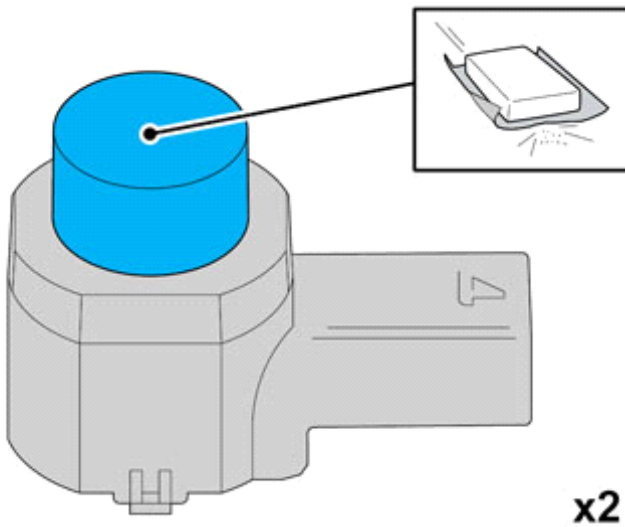
IMG-380123

Clean the surface.

Use: 1161721, Isopropanol

Allow to dry.

6

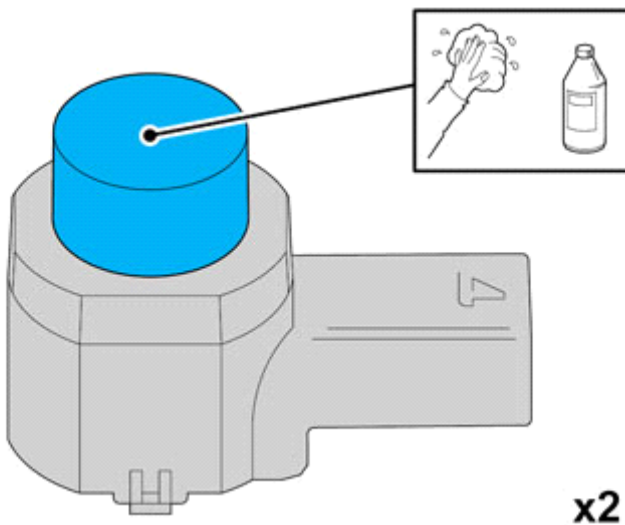


IMG-380131

Matt the surface gently.

Use: , Sand paper P1000

7



IMG-380123

Clean the surface.

Use: 1161721, Isopropanol

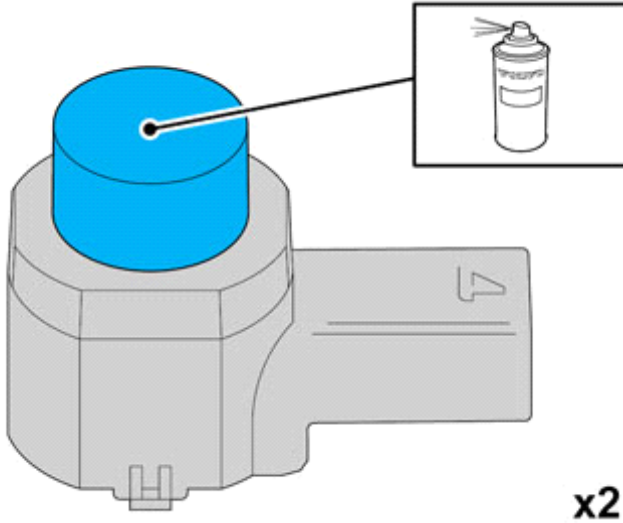
Allow to dry.



Installation instructions, accessories

Volvo Car Corporation Gothenburg, Sweden

8



IMG-380132

Caution!
Protect connector surfaces against paint spray.

Note!
Use correct color following the vehicle's paint code.

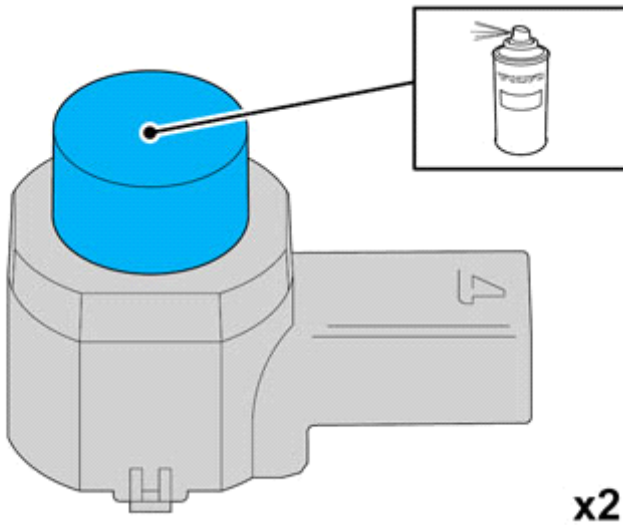
Use: , Volvo Original Touch-up paint

Use base coat only.

Also see the instructions on the container.

Allow to dry.

9



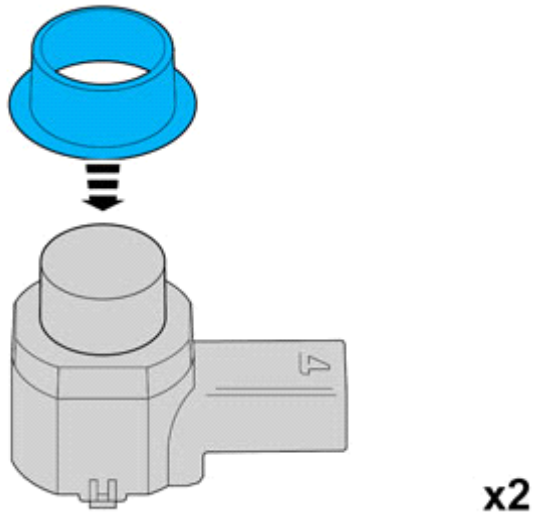
IMG-380132

Use: 31335447, Varnish 2-component

Also see the instructions on the container.

Allow to dry.

10



IMG-380178

Caution!
First the paint must dry after painting.



Installation instructions, accessories

Volvo Car Corporation Gothenburg, Sweden

Removal

11

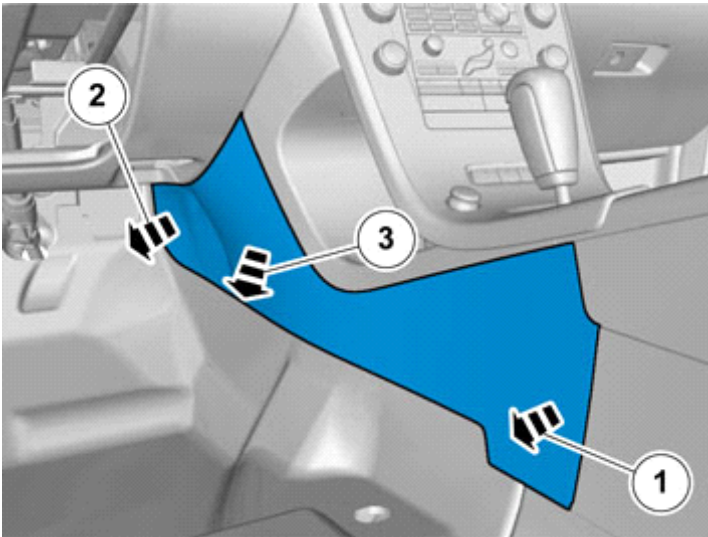
Set the ignition key to position 0.



IMG-332193

12

Remove the panel.



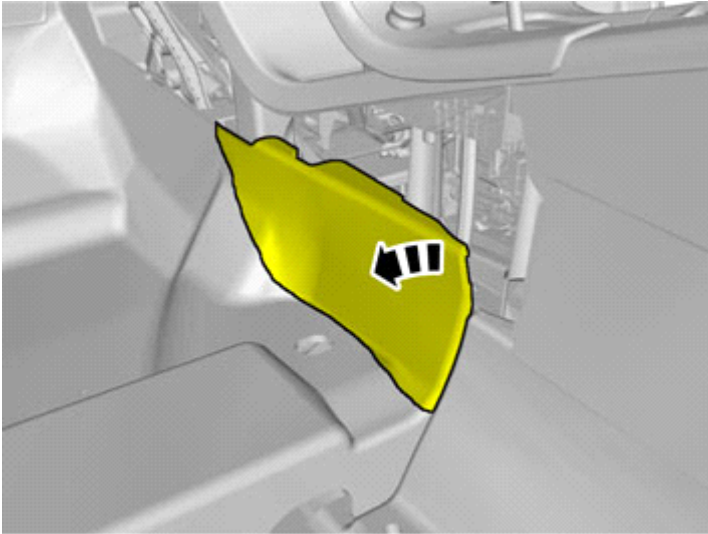
IMG-292804



Installation instructions, accessories

Volvo Car Corporation Gothenburg, Sweden

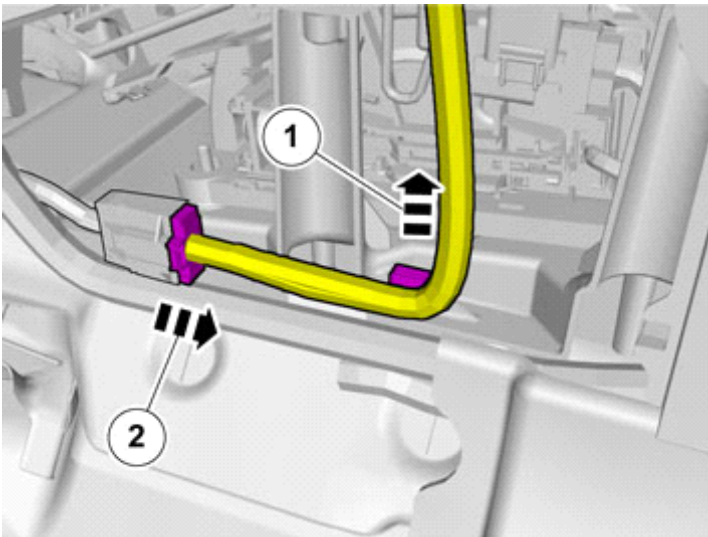
13



IMG-292806

Fold the carpet to the side.

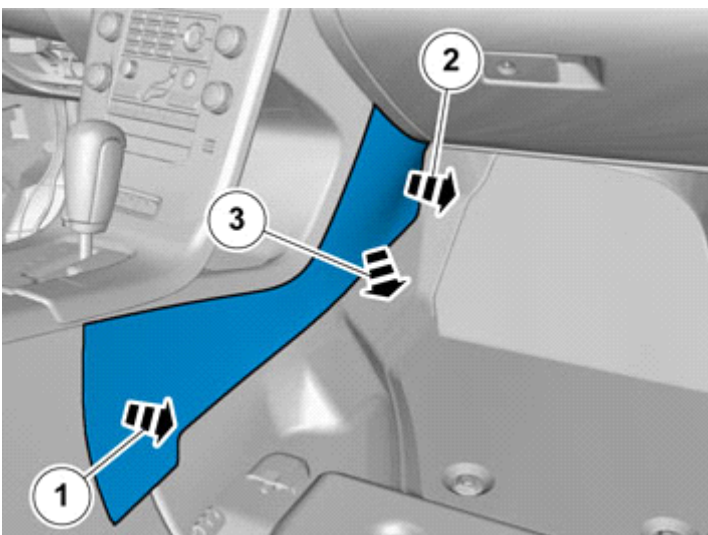
14



IMG-292823

1. Unhook the cable harness clips.
2. Disconnect the connector.

15



IMG-292826

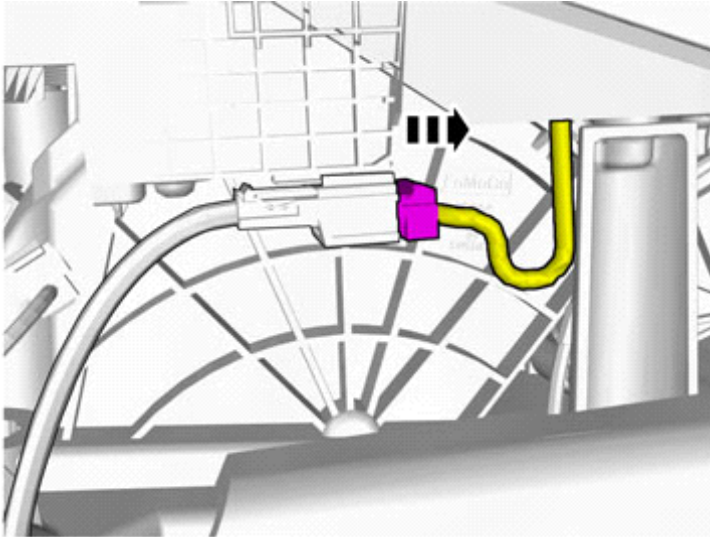
Remove the panel.



Installation instructions, accessories

Volvo Car Corporation Gothenburg, Sweden

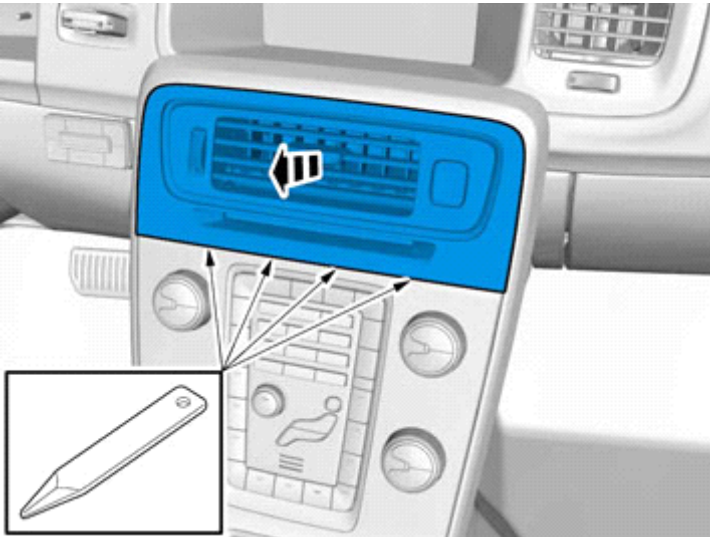
16



IMG-292827

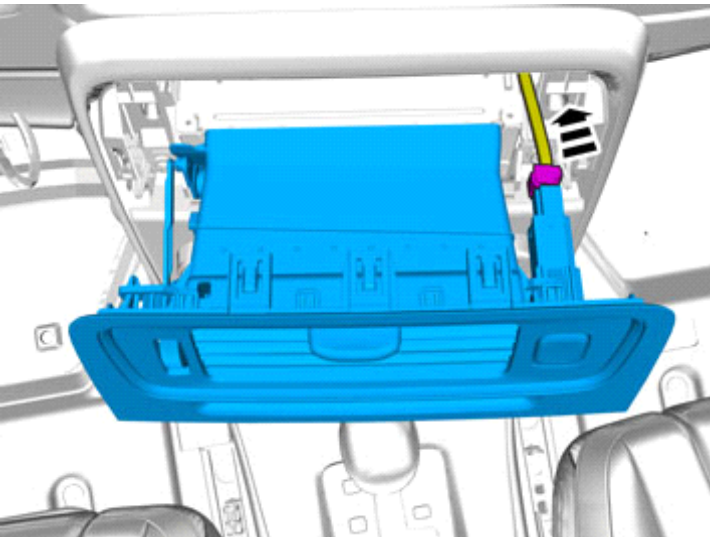
Disconnect the connector, if applicable.

17



IMG-346236

18



IMG-340984

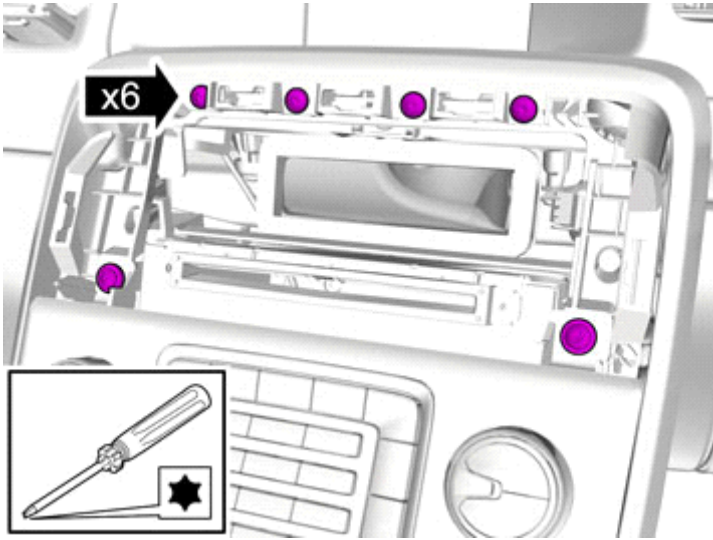
Disconnect the connector.



Installation instructions, accessories

Volvo Car Corporation Gothenburg, Sweden

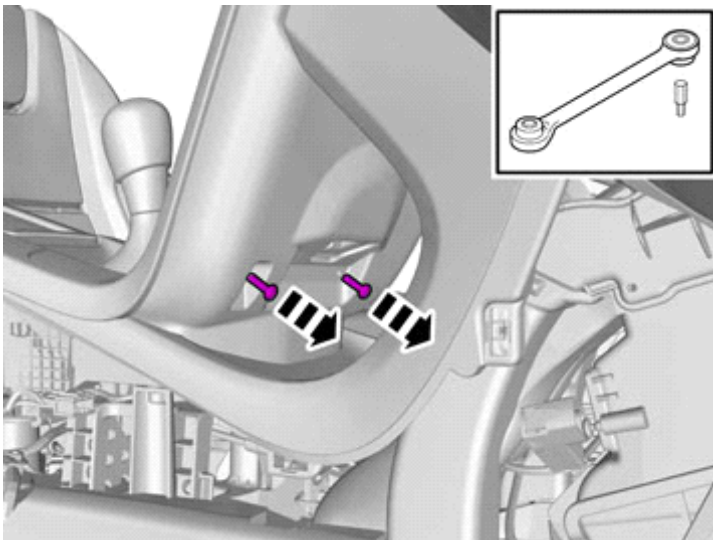
19



IMG-340985

Remove the screws.

20



IMG-355818

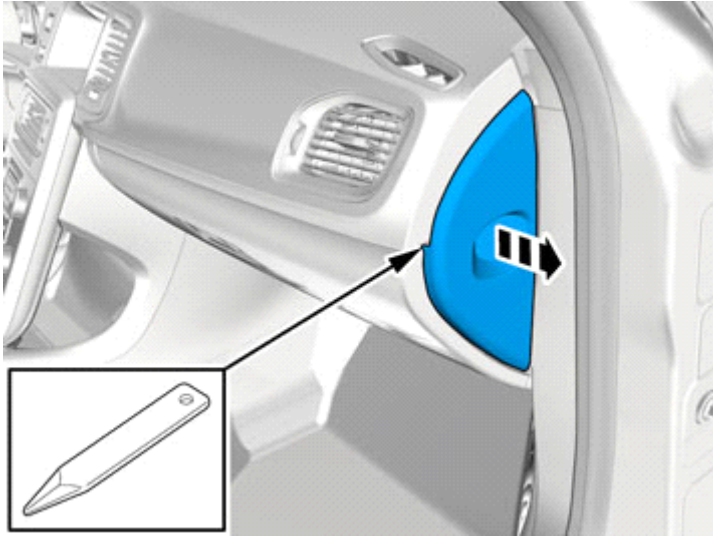
Remove the screws.



Installation instructions, accessories

Volvo Car Corporation Gothenburg, Sweden

21

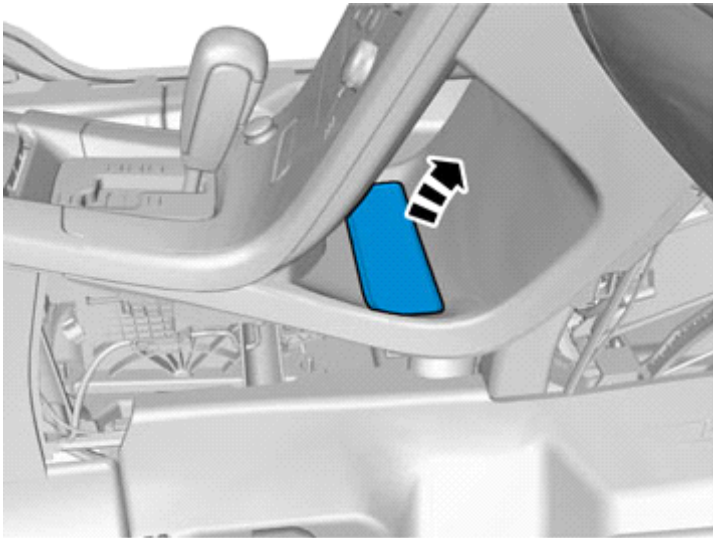


IMG-344926

Remove the panel.

Cars with automatic transmissions

22



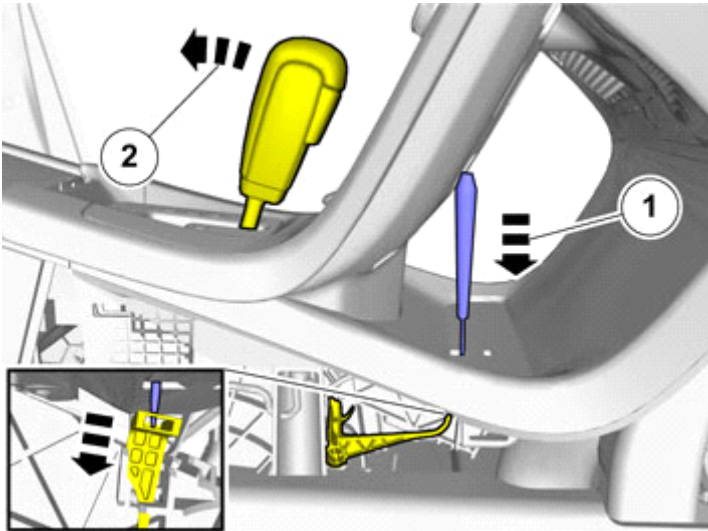
IMG-293006



Installation instructions, accessories

Volvo Car Corporation Gothenburg, Sweden

23

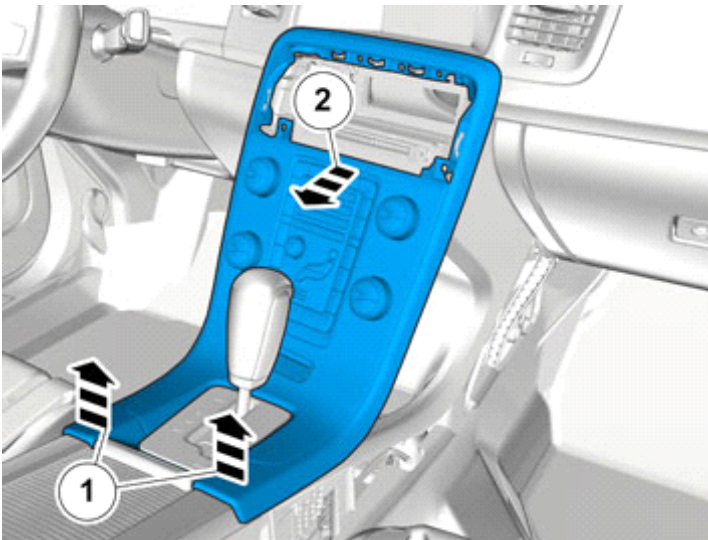


IMG-293007

Release the shift-lock function.

All vehicles

24



IMG-340981

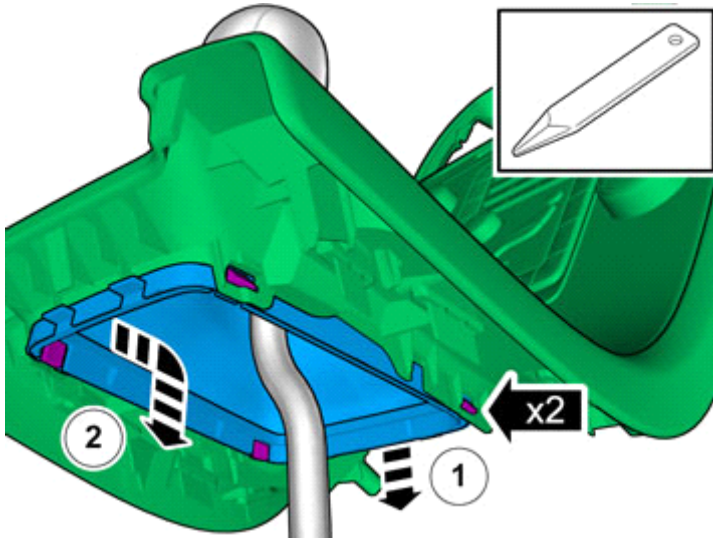
Cars with manual transmissions



Installation instructions, accessories

Volvo Car Corporation Gothenburg, Sweden

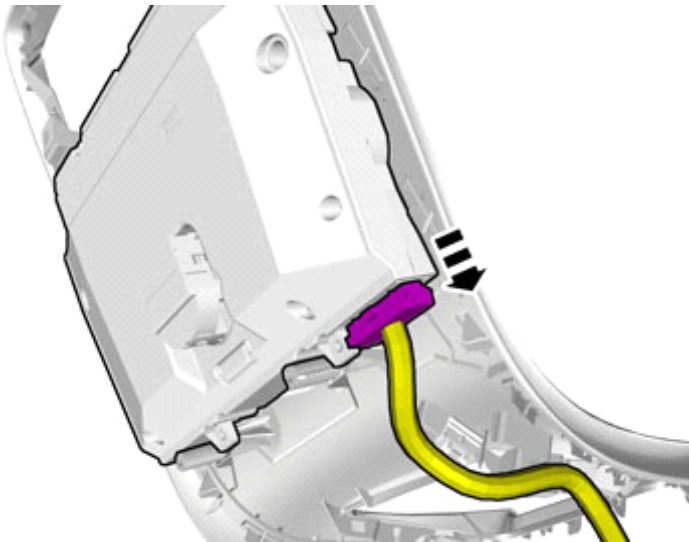
25



IMG-345292

All vehicles

26



IMG-340604

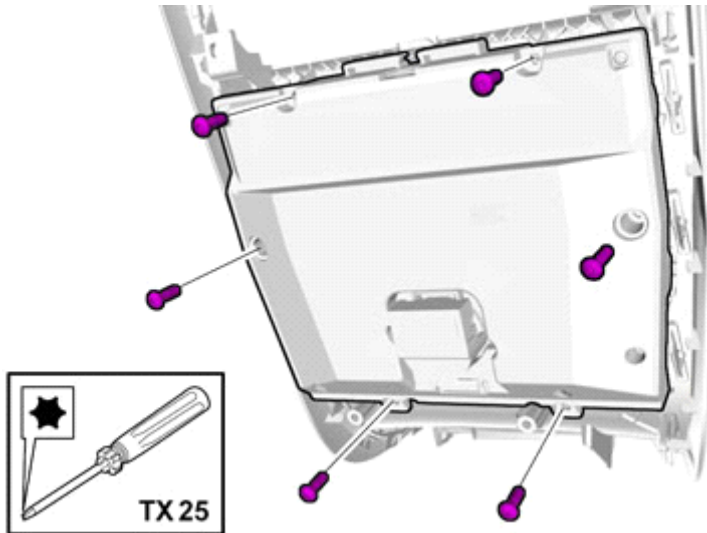
Disconnect the connector.



Installation instructions, accessories

Volvo Car Corporation Gothenburg, Sweden

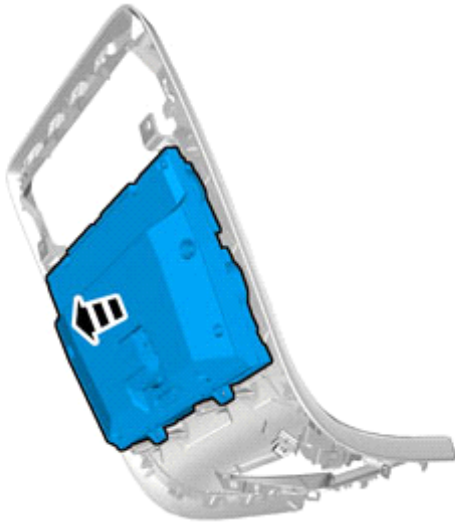
27



IMG-340605

Remove the screws.

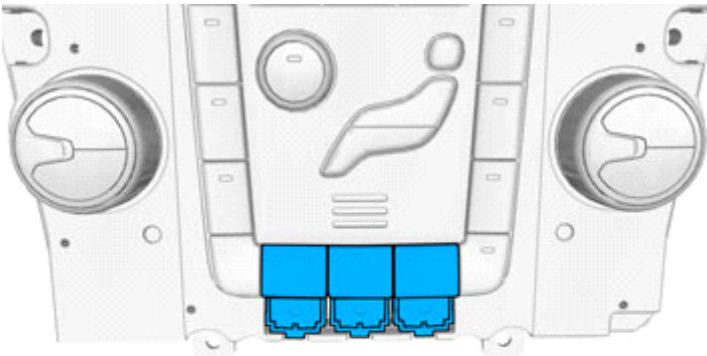
28



IMG-340607

Remove the marked part.

29



IMG-381763

Note!
Orientation view

Select the first free position closest to the driver.

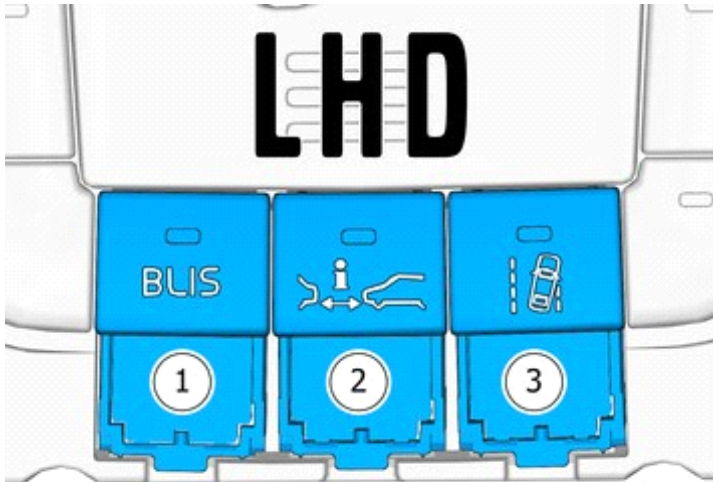


Installation instructions, accessories

Volvo Car Corporation Gothenburg, Sweden

Left hand drive vehicles

30



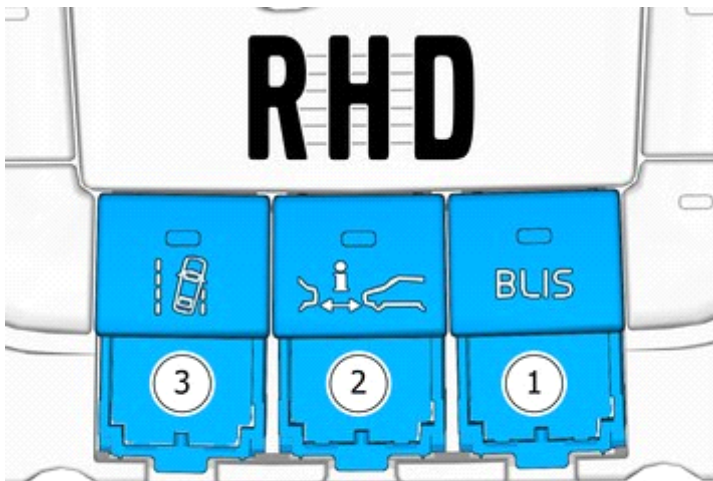
IMG-396256

If all locations for the switch are occupied a switch with function must be removed in priority order as illustrated.

1. BLIS
2. Distance Alert
3. Lane departure warning (LDW)

Right-hand drive vehicles

31



IMG-396255

If all locations for the switch are occupied a switch with function must be removed in priority order as illustrated.

1. BLIS
2. Distance Alert
3. Lane departure warning (LDW)

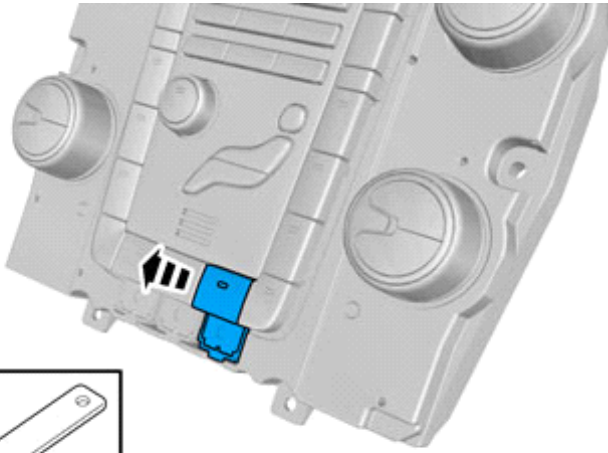
All vehicles



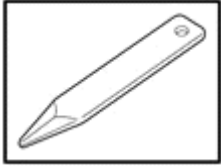
Installation instructions, accessories

Volvo Car Corporation Gothenburg, Sweden

32



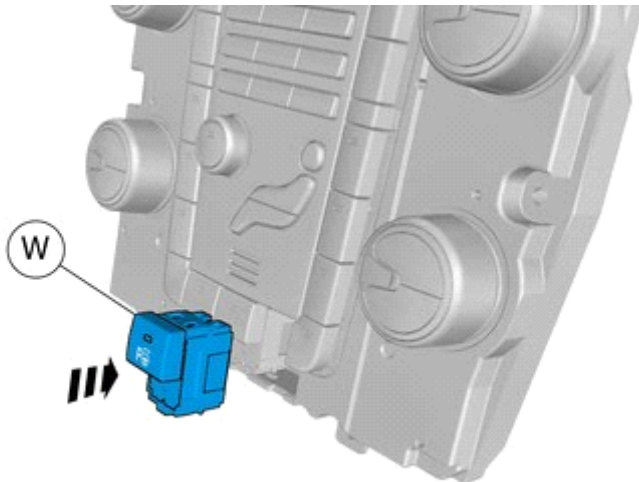
Remove the marked part.



IMG-380450

Accessory installation

33



Install component that comes with the accessory kit.

IMG-380454

Installation

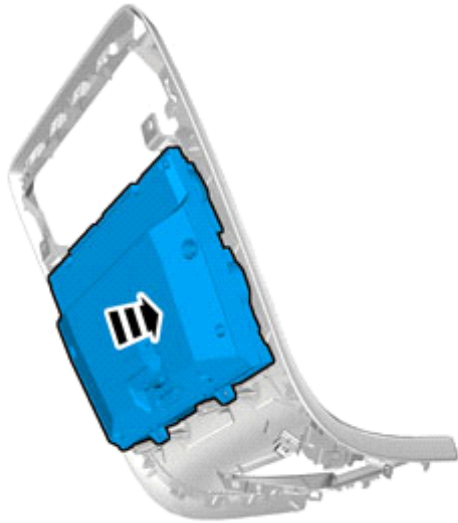


Installation instructions, accessories

Volvo Car Corporation Gothenburg, Sweden

34

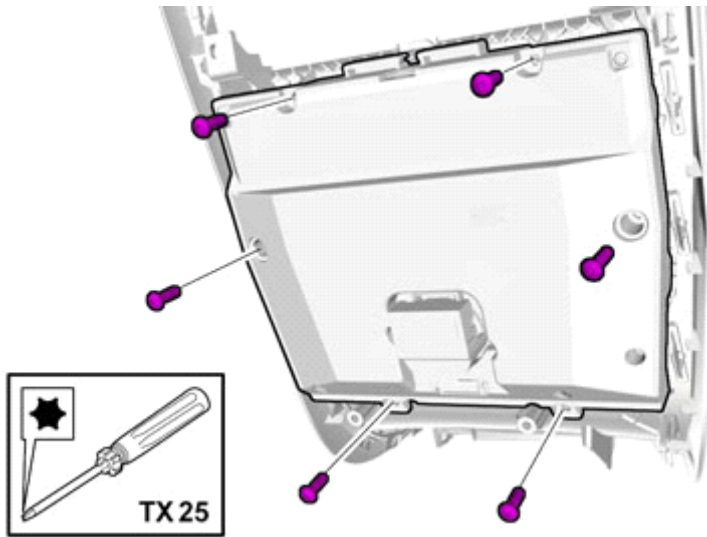
Reinstall the removed part.



IMG-341739

35

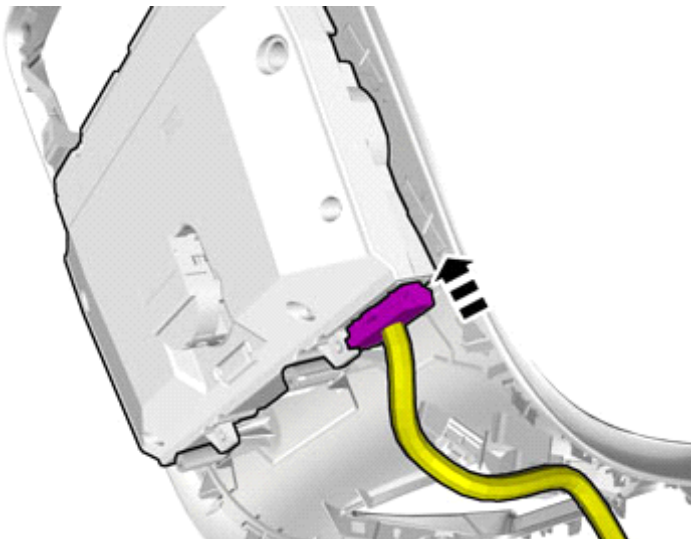
Reinstall the screws.



IMG-340605

36

Connect the connector.



IMG-340622

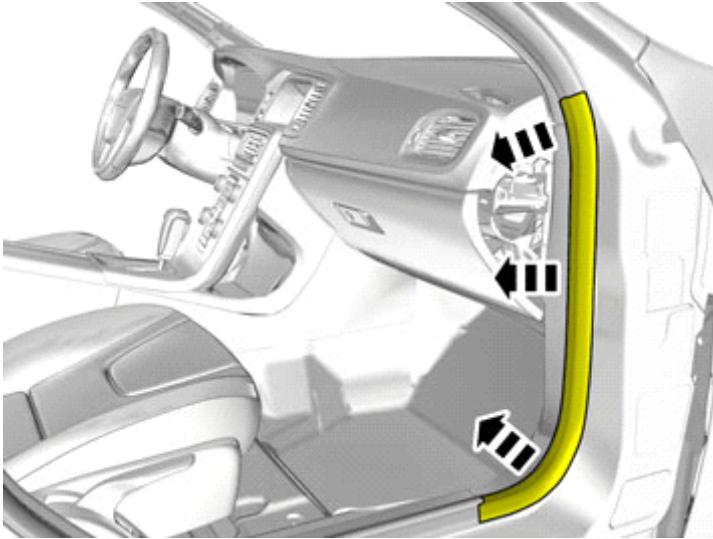


Installation instructions, accessories

Volvo Car Corporation Gothenburg, Sweden

Removal

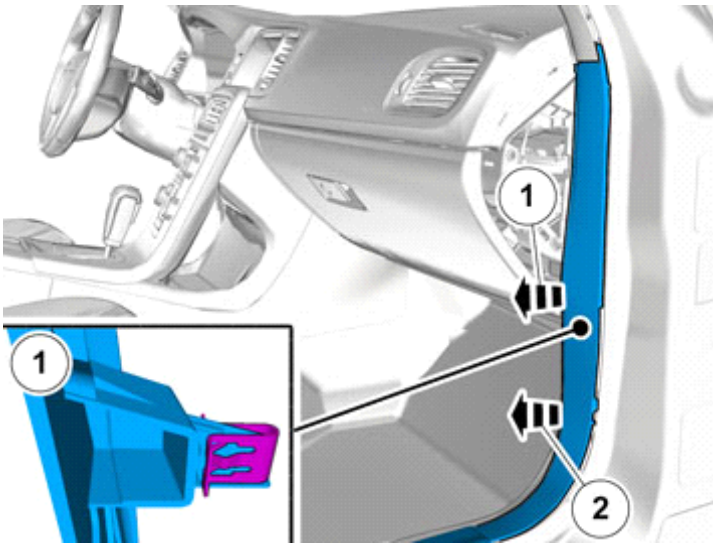
37



IMG-344927

Remove the weatherstrip.

38



IMG-344928

Caution!

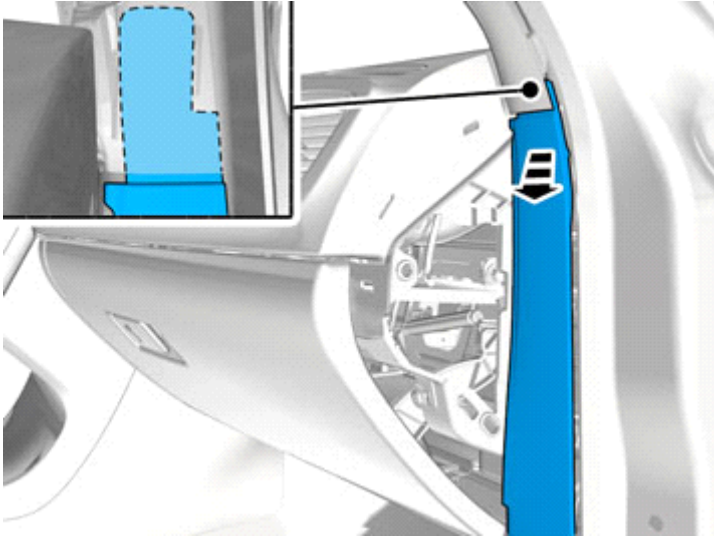
The front and upper sill panel must be removed and installed as one unit.



Installation instructions, accessories

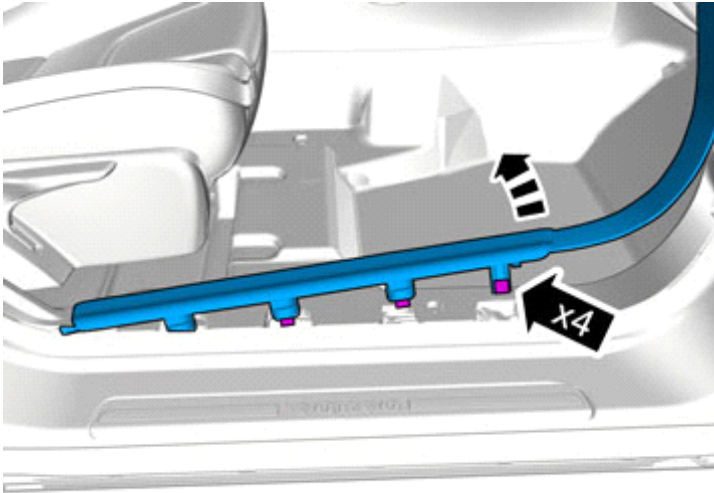
Volvo Car Corporation Gothenburg, Sweden

39



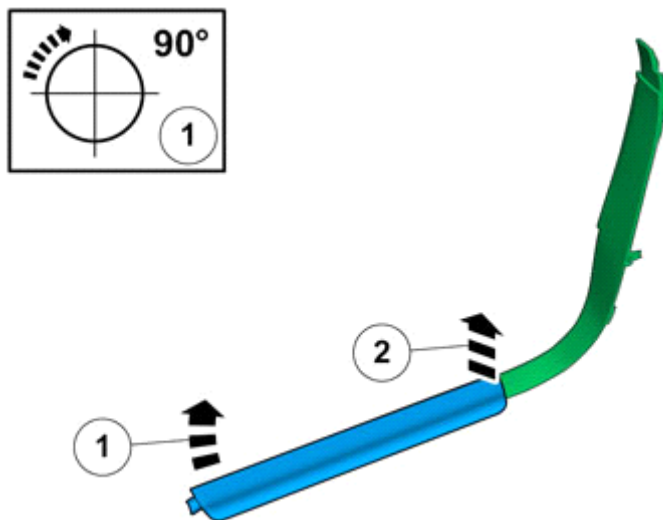
IMG-344929

40



IMG-344930

41



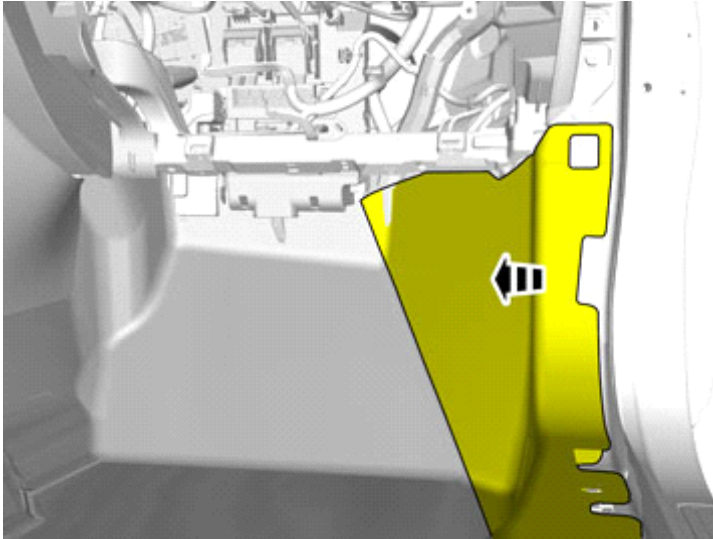
IMG-344451



Installation instructions, accessories

Volvo Car Corporation Gothenburg, Sweden

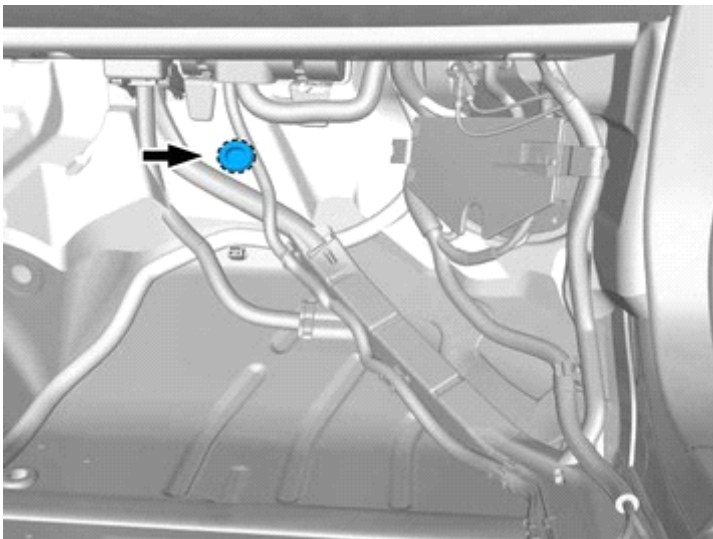
42



IMG-375379

Fold the carpet to the side.

43



IMG-396281

Locate the rubber grommet under the insulating mat.

44



IMG-396796

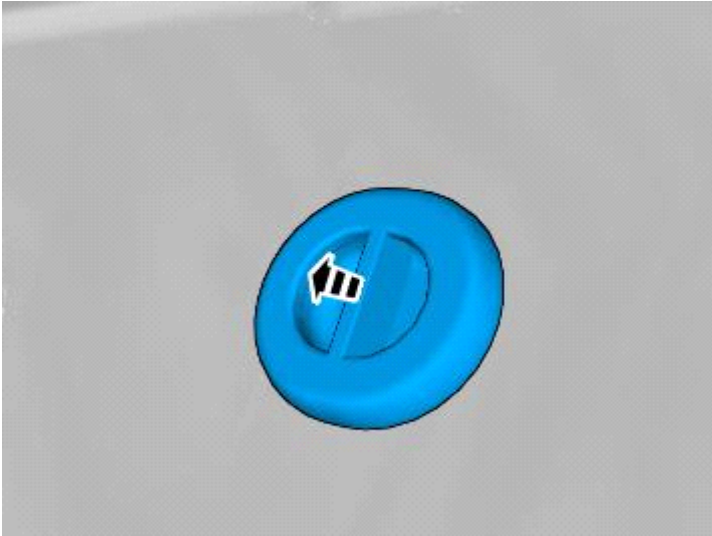
Fold the insulation to one side.



Installation instructions, accessories

Volvo Car Corporation Gothenburg, Sweden

45

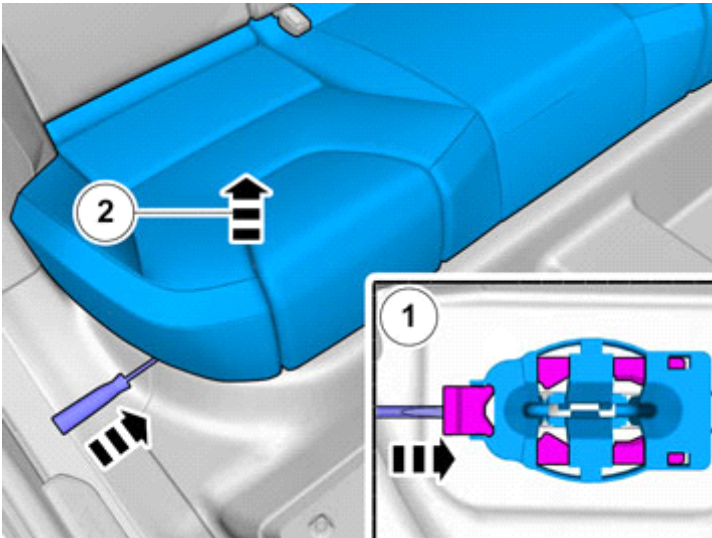


IMG-385185

Remove the marked part.

The part is not to be reused.

46



IMG-342372

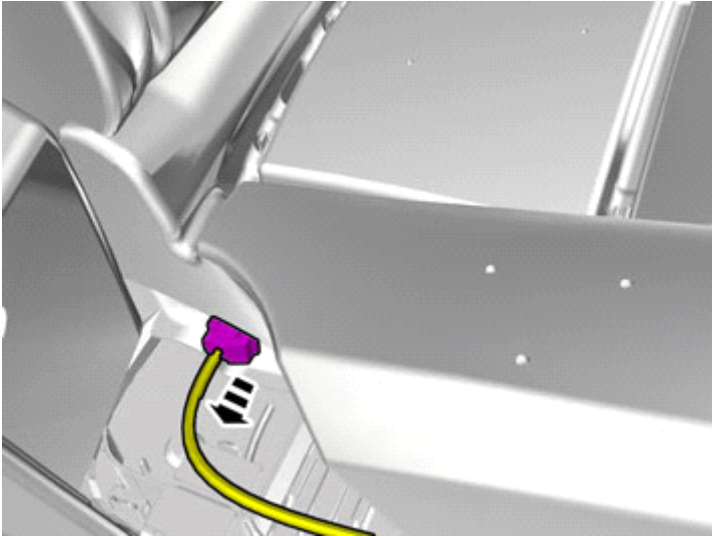
Repeat on the other side.



Installation instructions, accessories

Volvo Car Corporation Gothenburg, Sweden

47

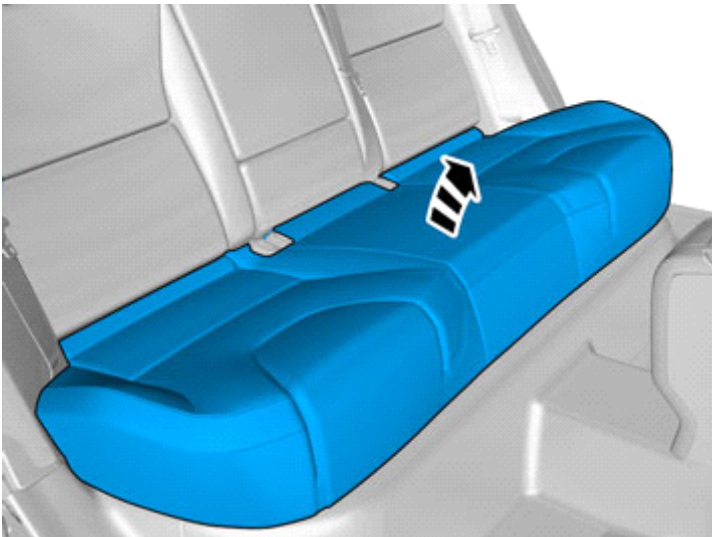


IMG-341902

Disconnect the connector, if applicable.

Repeat on the other side.

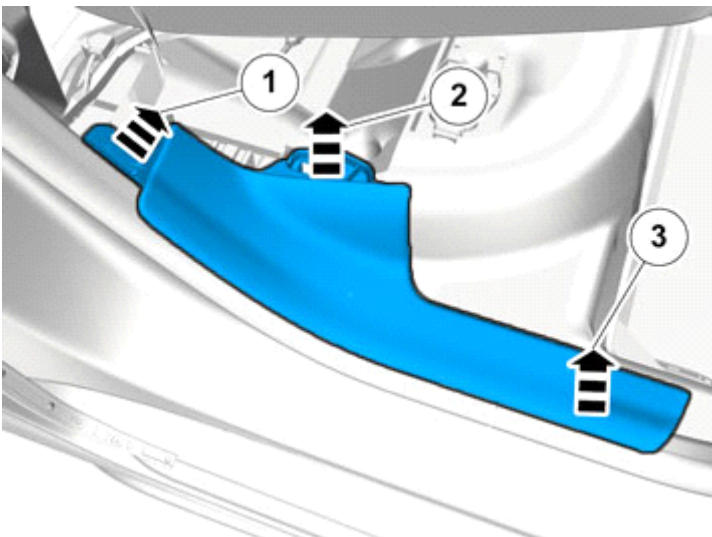
48



IMG-360124

Remove the marked part.

49



IMG-341906

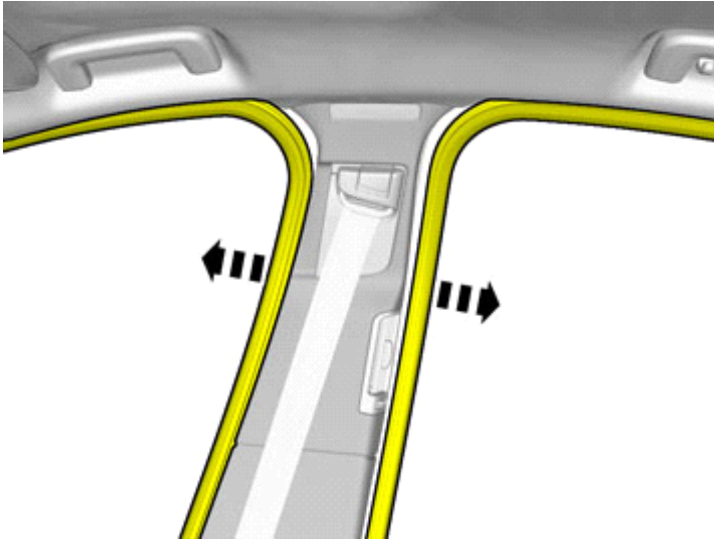
Remove the panel.



Installation instructions, accessories

Volvo Car Corporation Gothenburg, Sweden

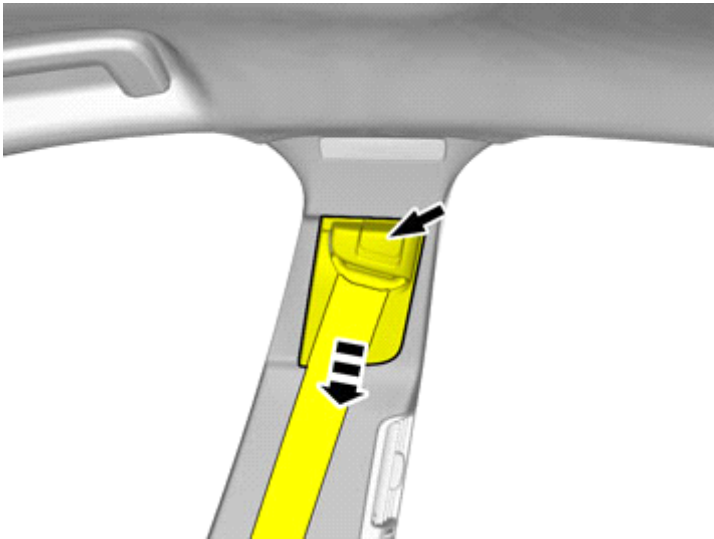
50



Remove the weatherstrips.

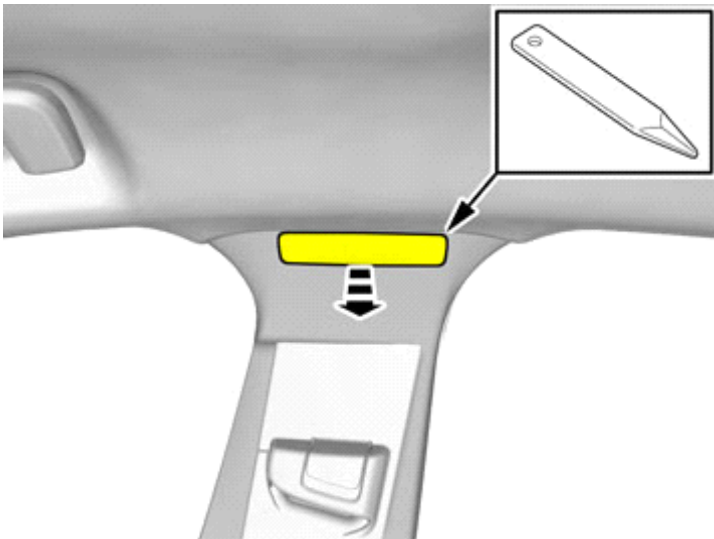
IMG-382077

51



IMG-382078

52



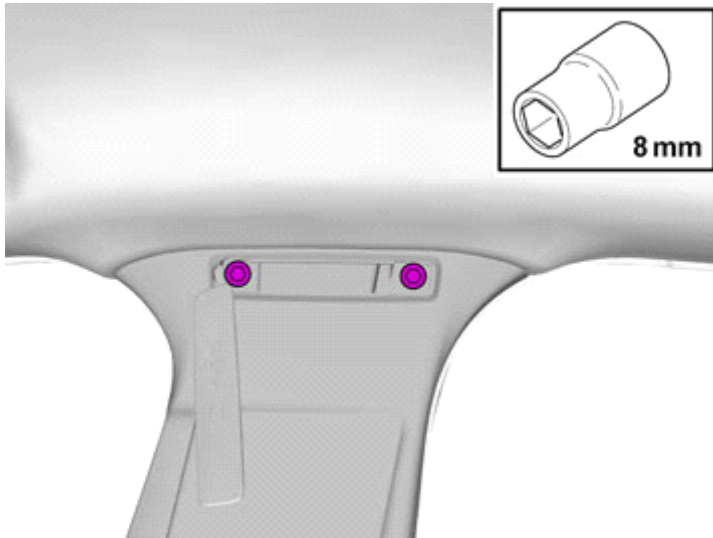
IMG-382079



Installation instructions, accessories

Volvo Car Corporation Gothenburg, Sweden

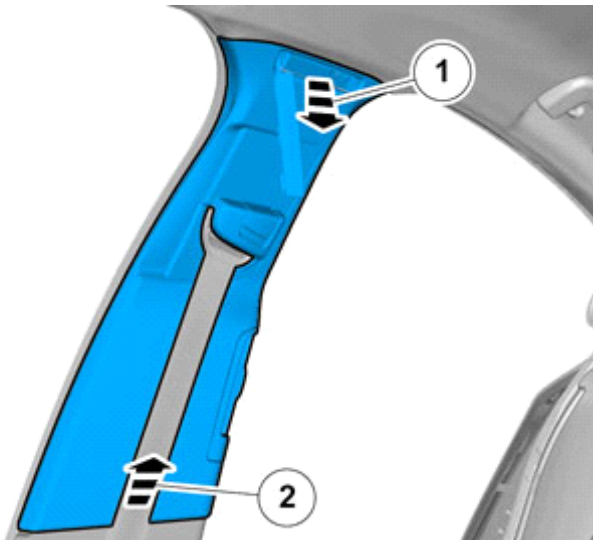
53



IMG-382080

Remove the screws.

54



IMG-382081

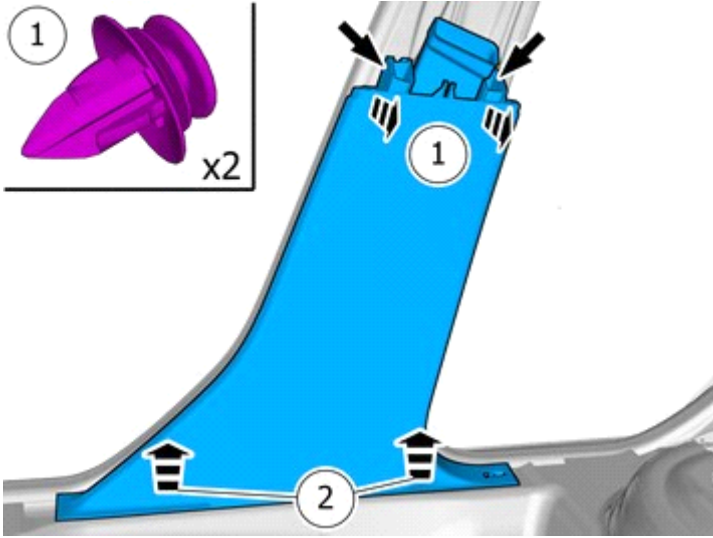
Remove the panel.



Installation instructions, accessories

Volvo Car Corporation Gothenburg, Sweden

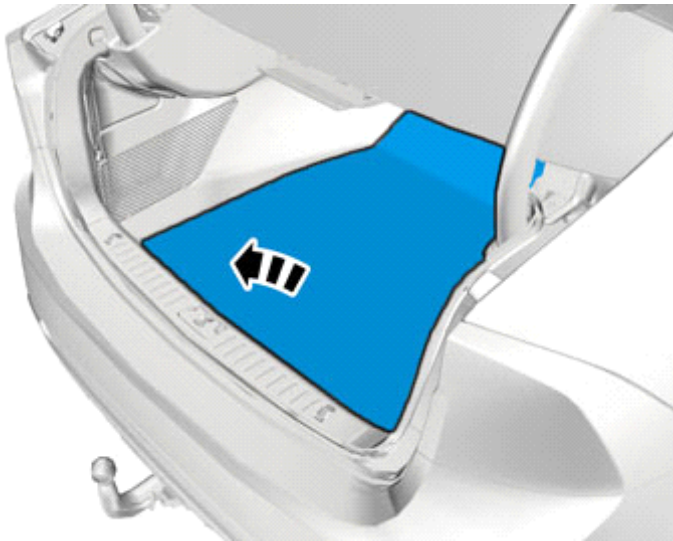
55



IMG-382090

Remove the panel.

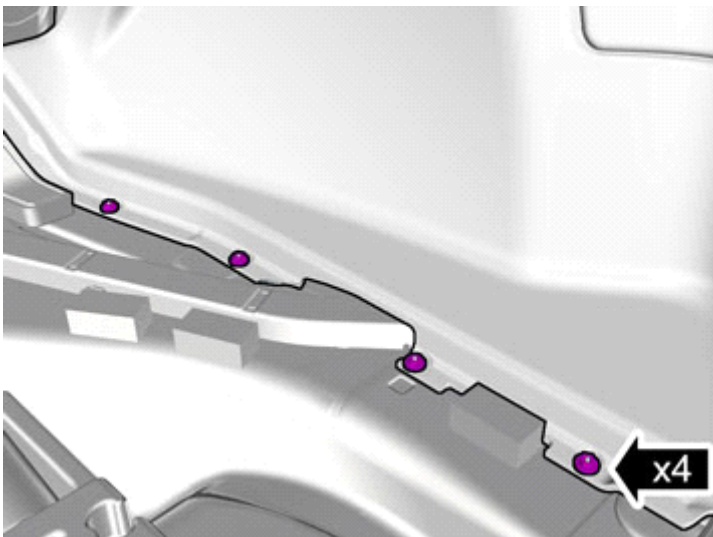
56



IMG-341907

Remove the marked part.

57



IMG-341908

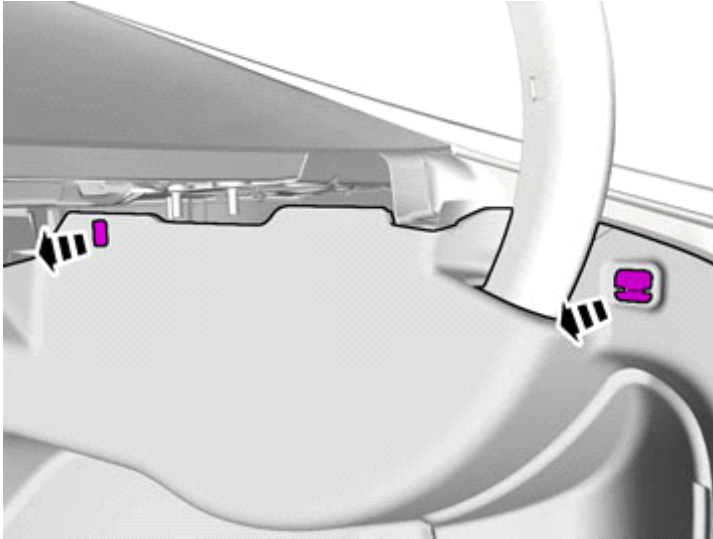
Remove the nuts.



Installation instructions, accessories

Volvo Car Corporation Gothenburg, Sweden

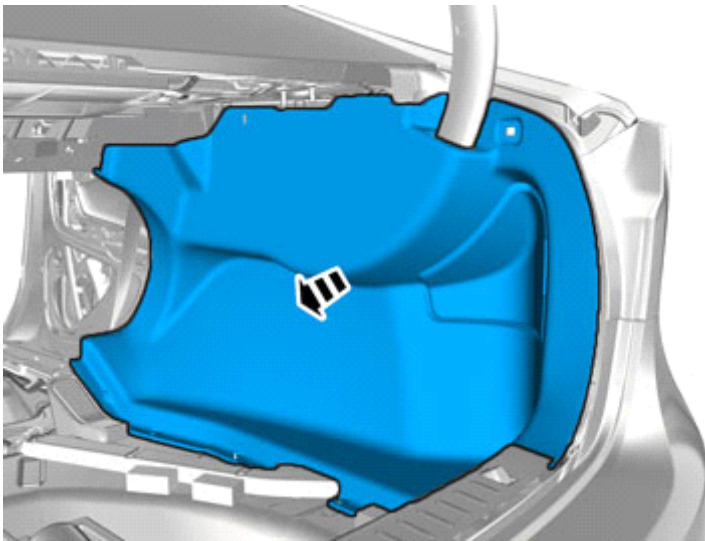
58



IMG-341910

Remove the clips.

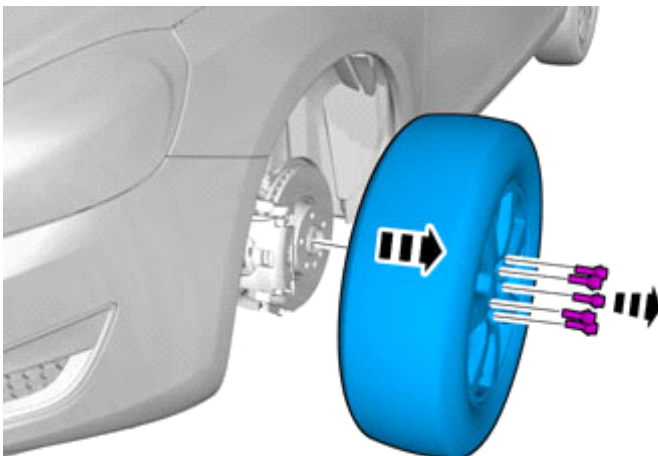
59



IMG-341909

Remove the panel.

60



IMG-352021

Caution!

Left side! This step applies also to right-hand drive vehicles!

Tightening torque: Wheel to wheel hub

Stage 1: 20 Nm

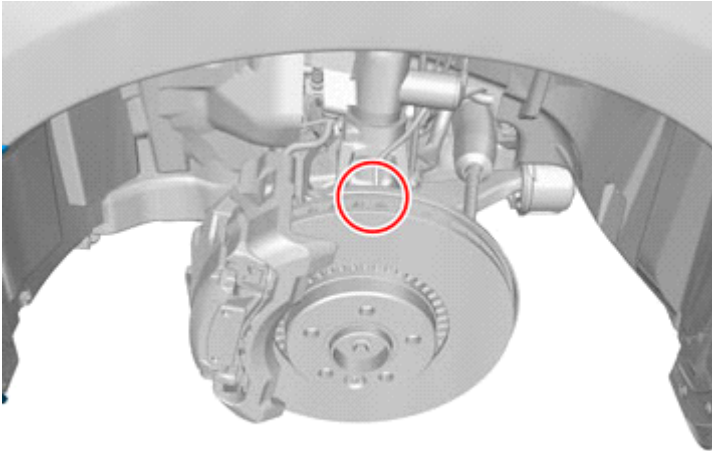
Stage 2: 140 Nm



Installation instructions, accessories

Volvo Car Corporation Gothenburg, Sweden

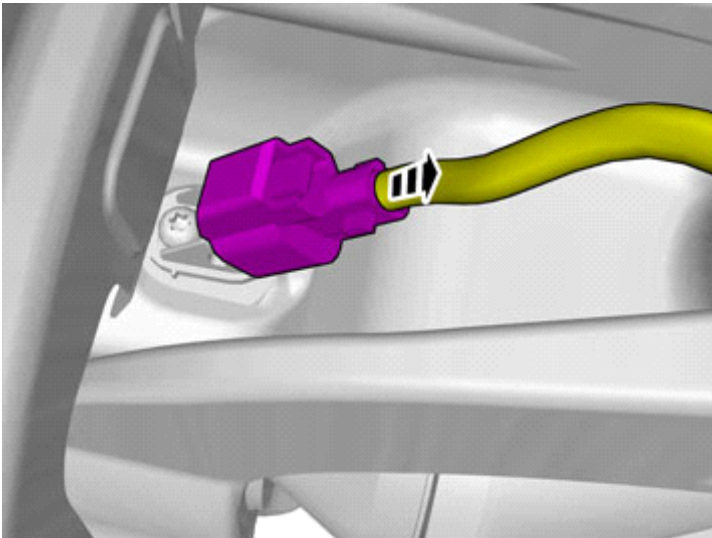
61



Note!
Orientation view

IMG-381634

62



Disconnect the connector.

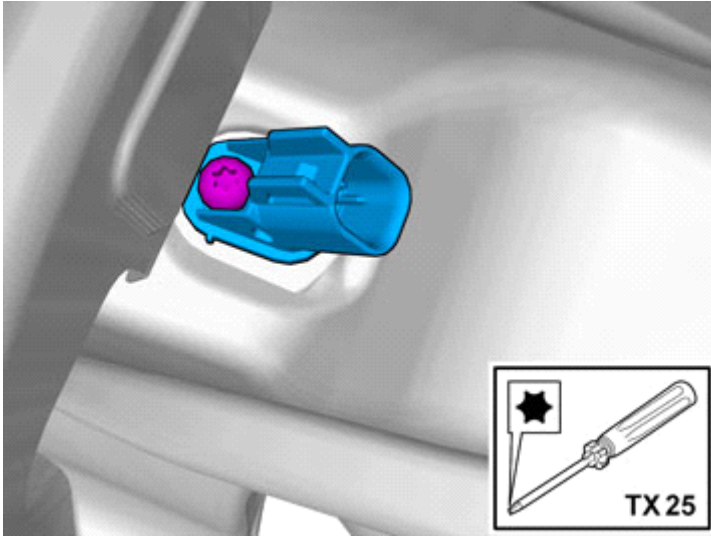
IMG-381635



Installation instructions, accessories

Volvo Car Corporation Gothenburg, Sweden

63



IMG-381636

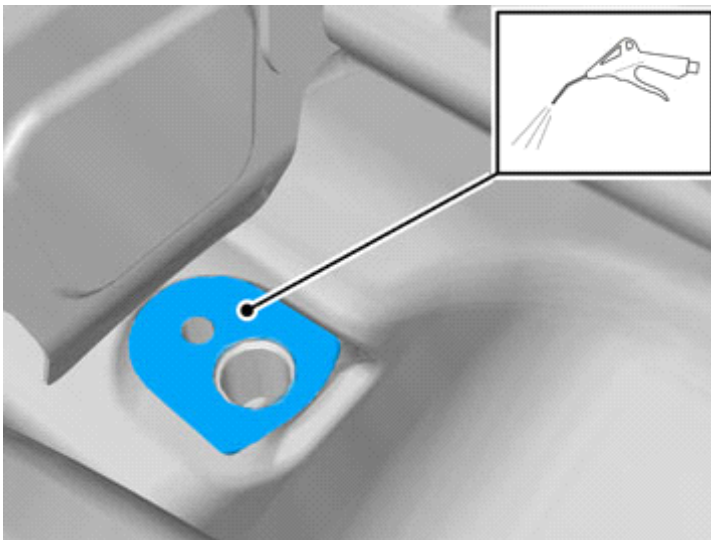
Remove the screw.

Remove the marked part.

The part is not to be reused.

Accessory installation

64



IMG-381633

Caution!

Left side! This step applies also to right-hand drive vehicles!

Note!

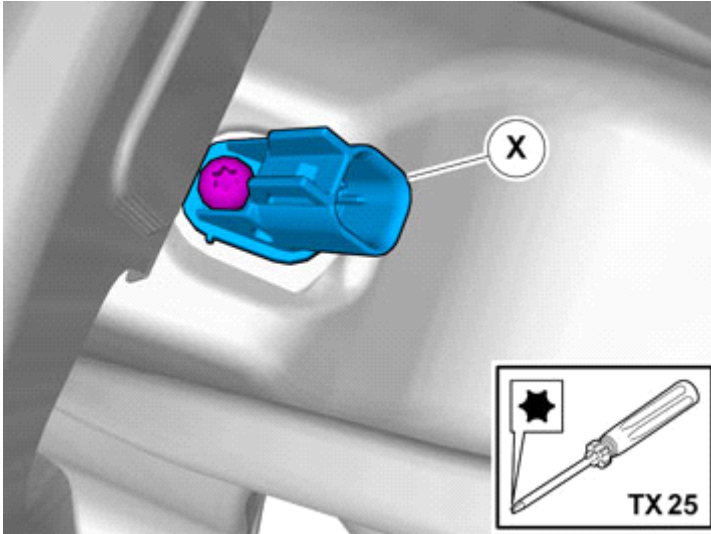
Make sure that the mating faces are clean and free of foreign material.



Installation instructions, accessories

Volvo Car Corporation Gothenburg, Sweden

65

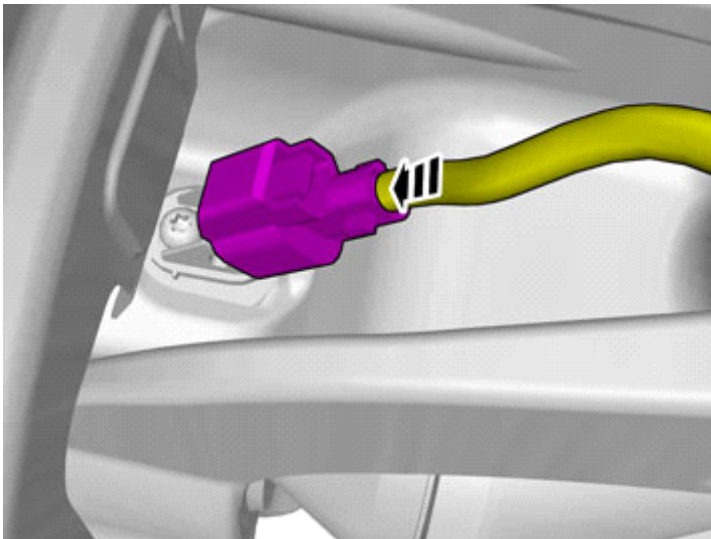


IMG-381637

Install component that comes with the accessory kit.

Tightening torque: M5 , 5 Nm

66



IMG-381638

Connect the connector.

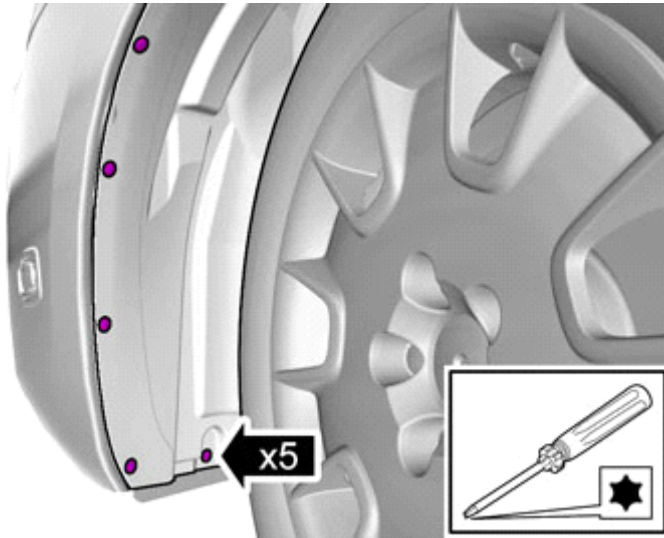
Removal



Installation instructions, accessories

Volvo Car Corporation Gothenburg, Sweden

67

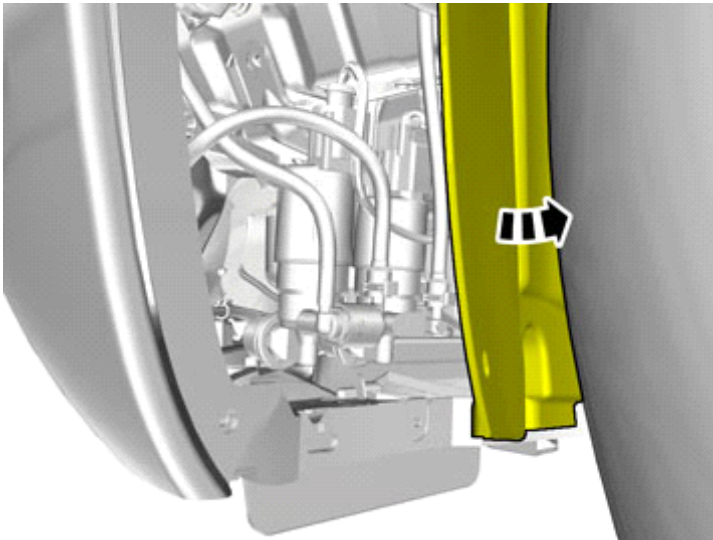


IMG-341913

Remove the screws.

Vehicles with headlamp washers

68



IMG-341914

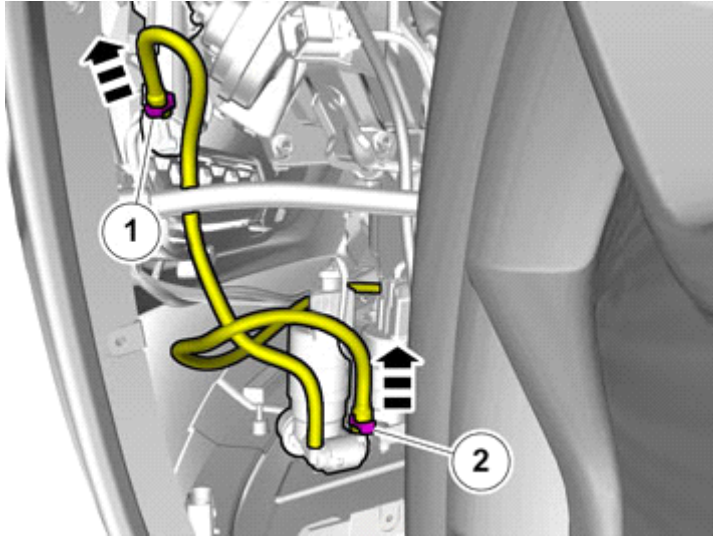
Fold the wing liner to one side.



Installation instructions, accessories

Volvo Car Corporation Gothenburg, Sweden

69



IMG-341915

Warning!

Be prepared to collect escaping fluid.

1.

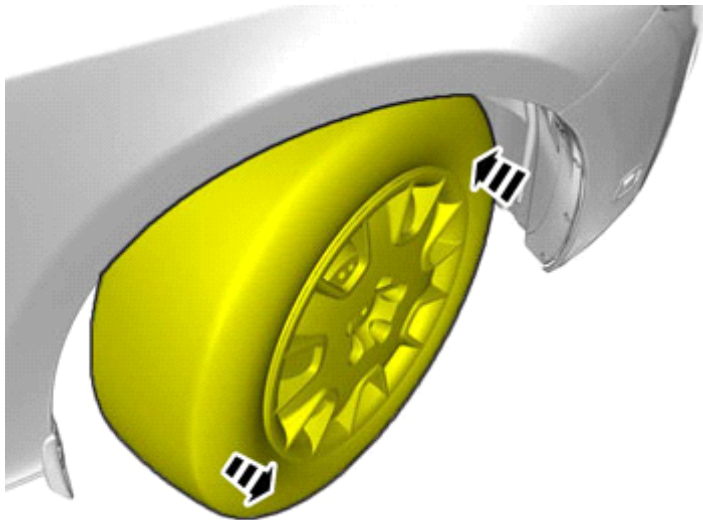
Note!

Tape the hose high up on the washer fluid reservoir to prevent washer fluid from coming out.

2. Take a piece of washer hose. Tie a knot in it and place it on the washer pump to prevent the washer fluid reservoir from emptying.

Right-hand drive vehicles

70



IMG-341916

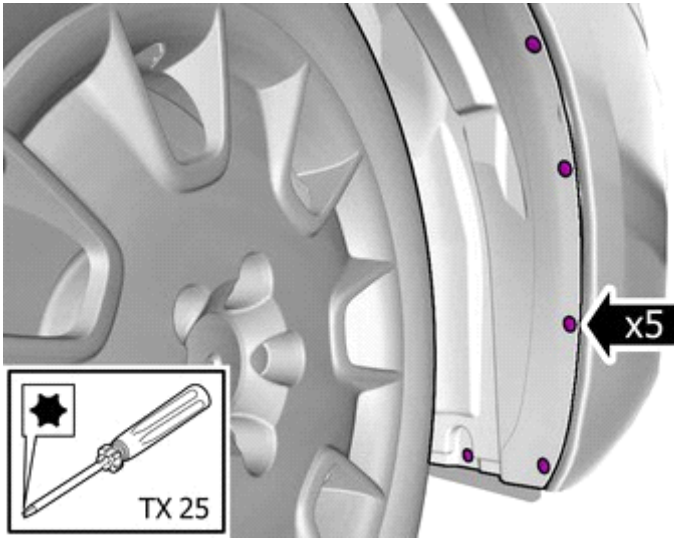
Turn the wheel inwards.



Installation instructions, accessories

Volvo Car Corporation Gothenburg, Sweden

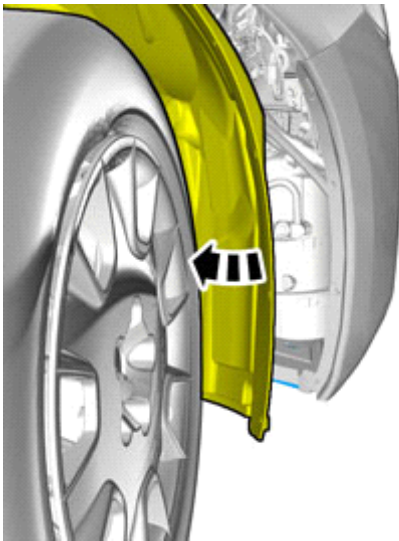
71



IMG-341917

Remove the screws.

72



IMG-341918

Fold the wing liner to one side.

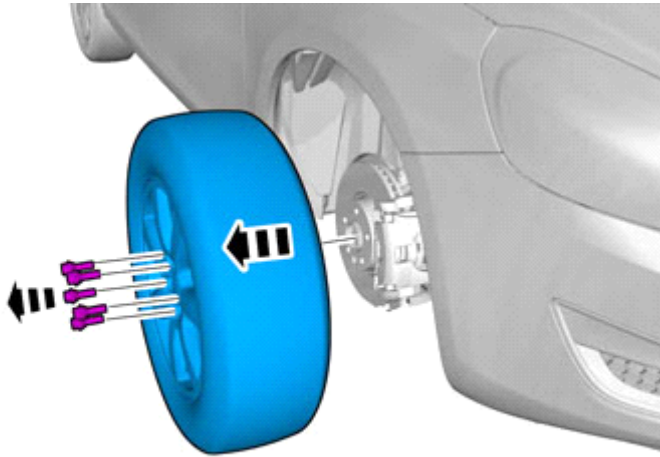
Left hand drive vehicles



Installation instructions, accessories

Volvo Car Corporation Gothenburg, Sweden

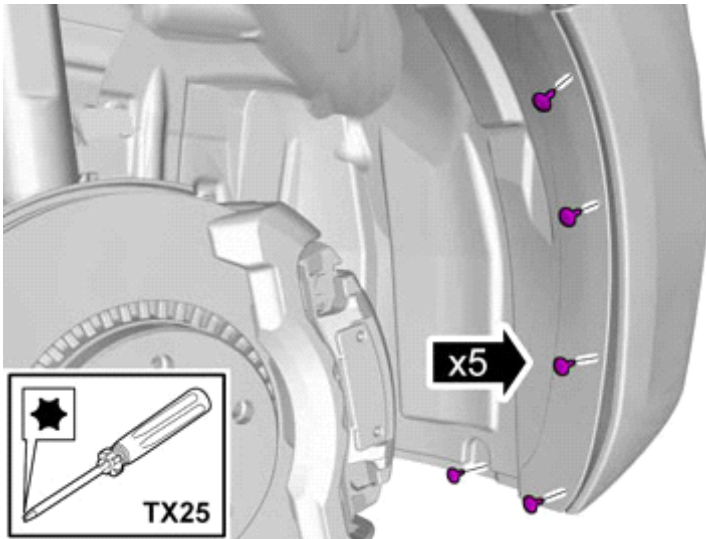
73



Tightening torque: Wheel to wheel hub
Stage 1: 20 Nm
Stage 2: 140 Nm

IMG-382362

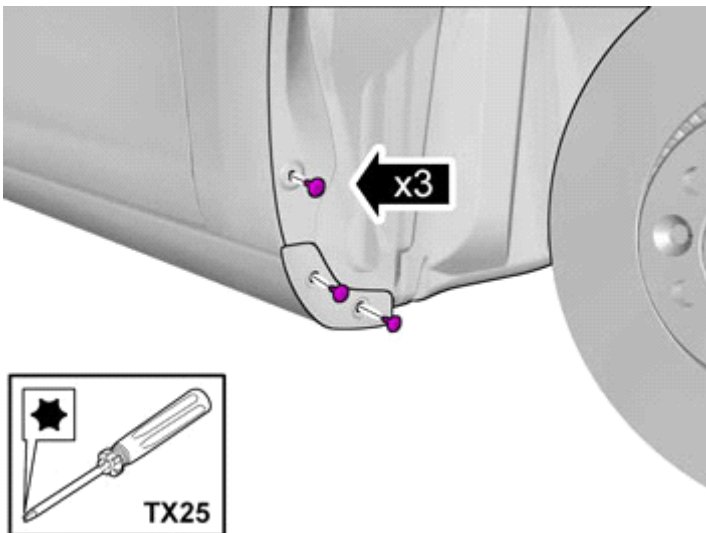
74



Remove the screws.

IMG-382364

75



Remove the screws.

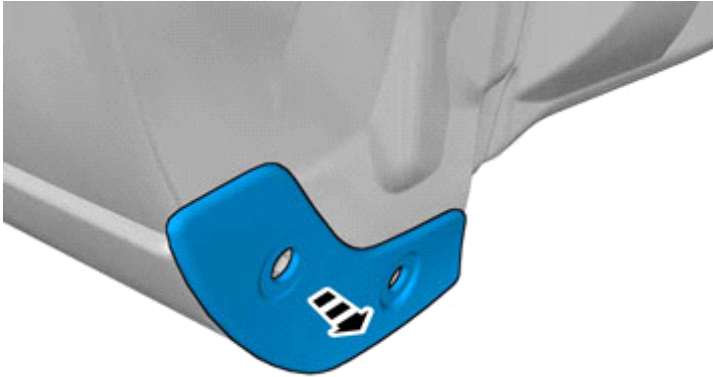
IMG-382363



Installation instructions, accessories

Volvo Car Corporation Gothenburg, Sweden

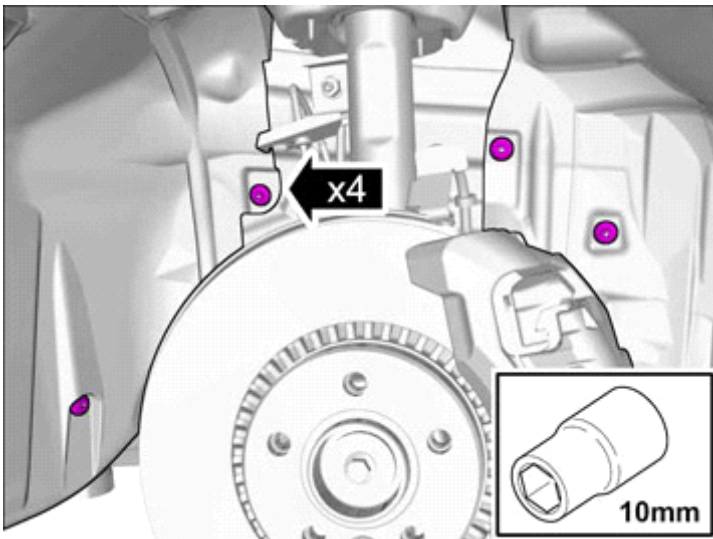
76



Remove the marked part.

IMG-382366

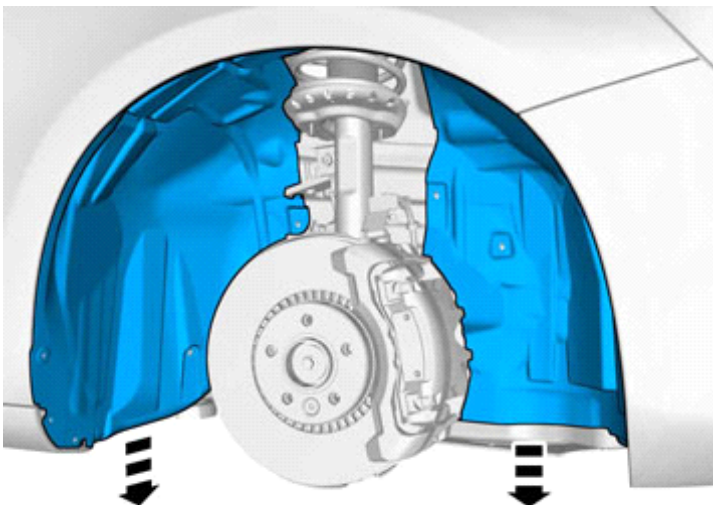
77



Remove the nuts.

IMG-382367

78



Remove the marked part.

IMG-382368

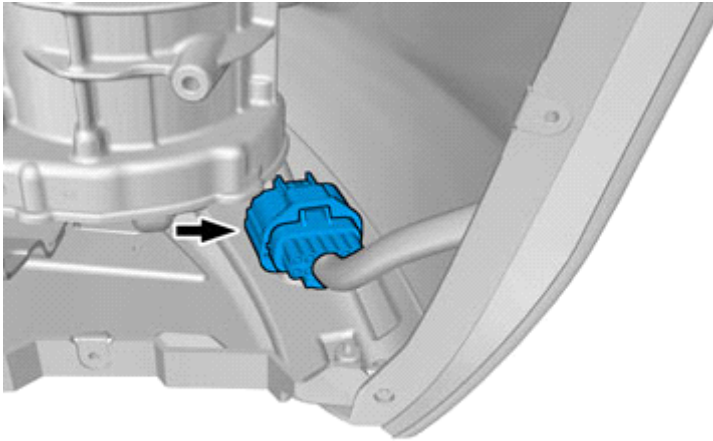


Installation instructions, accessories

Volvo Car Corporation Gothenburg, Sweden

All vehicles

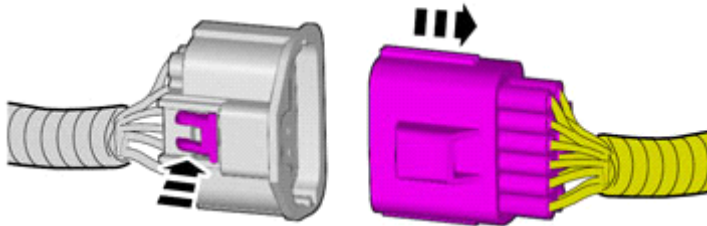
79



Locate the connector.

IMG-378274

80



1. Depress the locking device.
2. Disconnect the connector.

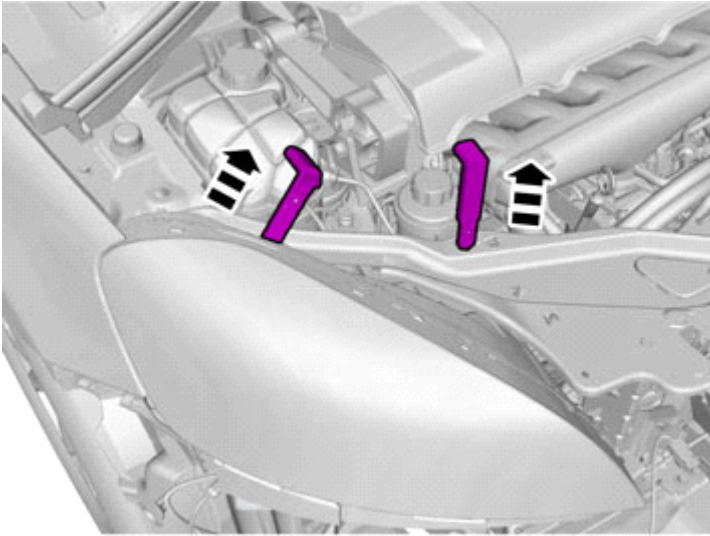
IMG-378285



Installation instructions, accessories

Volvo Car Corporation Gothenburg, Sweden

81

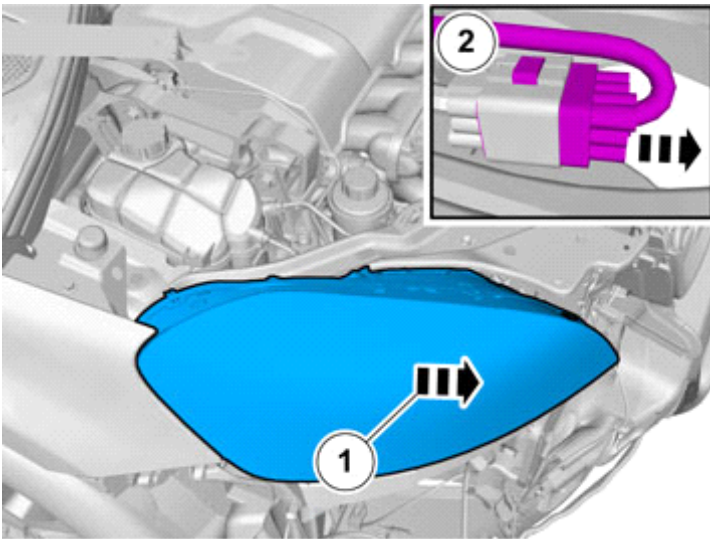


IMG-307687

Release the locks.

RHD: The procedure is carried out on the opposite side.

82



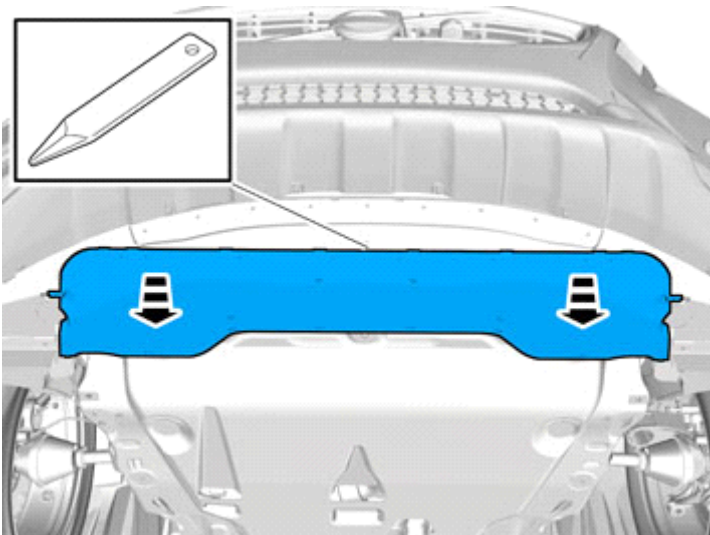
IMG-307688

Remove the marked part.

Disconnect the connector.

RHD: The procedure is carried out on the opposite side.

83



IMG-341924

Remove the marked part.

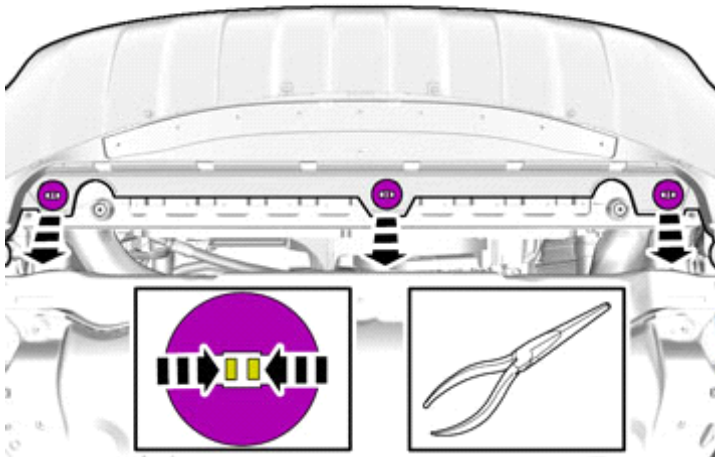


Installation instructions, accessories

Volvo Car Corporation Gothenburg, Sweden

84

Remove the clips.



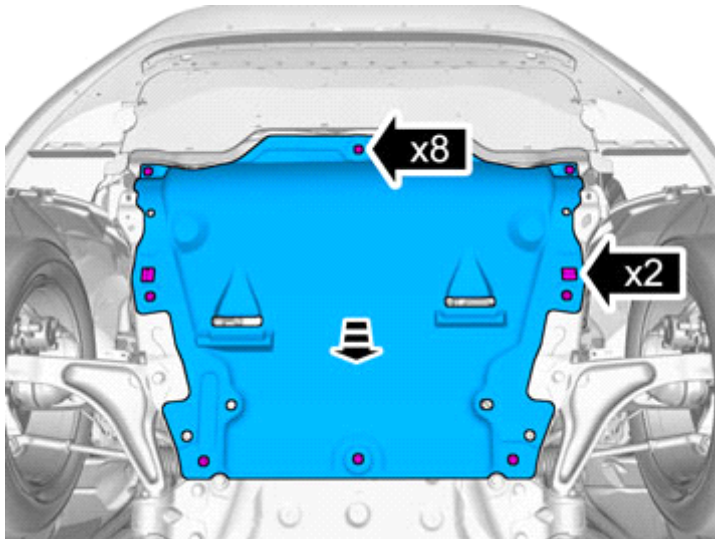
IMG-341927

85

Remove the clips.

Remove the screws.

Remove the marked part.



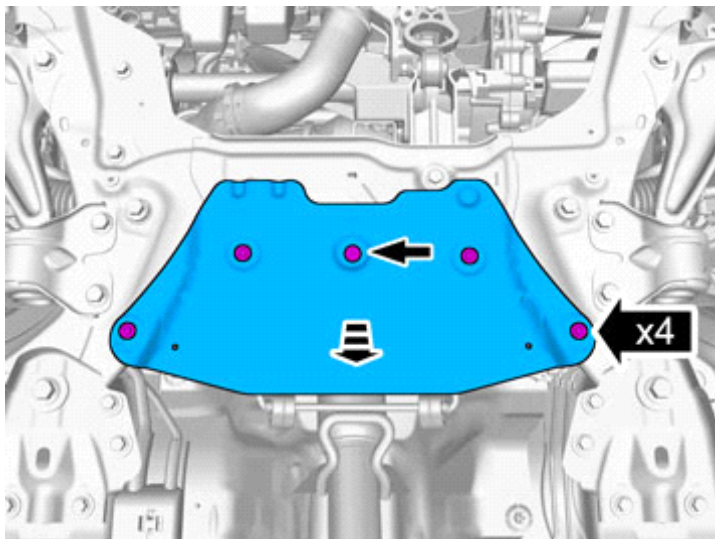
IMG-382096

86

Remove the clip.

Remove the screws.

Remove the marked part.



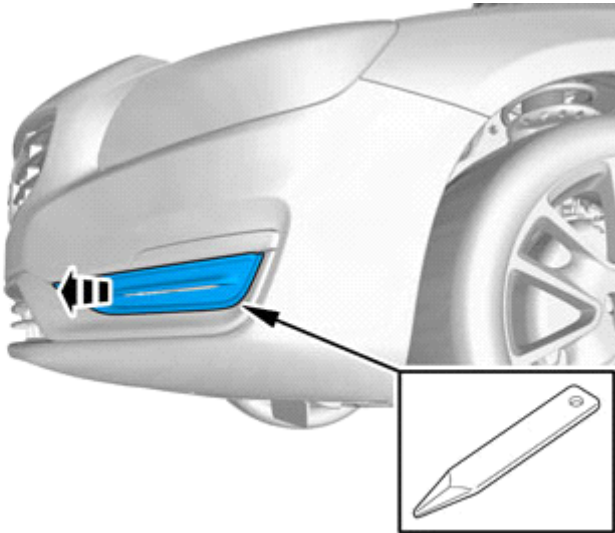
IMG-382097



Installation instructions, accessories

Volvo Car Corporation Gothenburg, Sweden

87



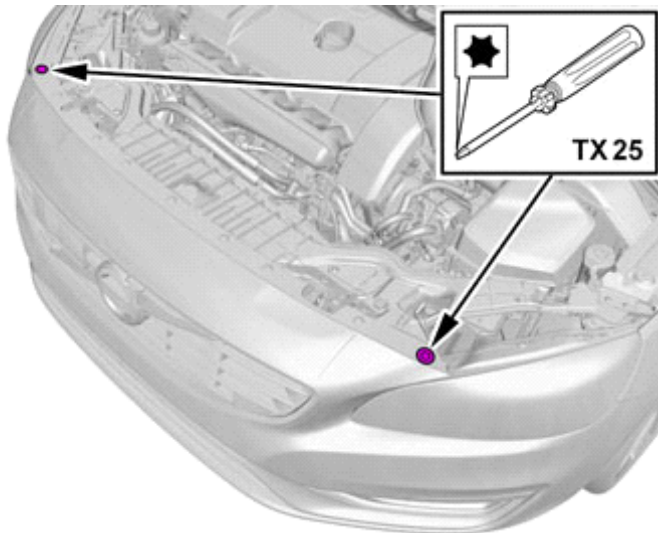
IMG-378560

Remove the marked part.

The part is not to be reused.

Repeat on the other side.

88



IMG-378108

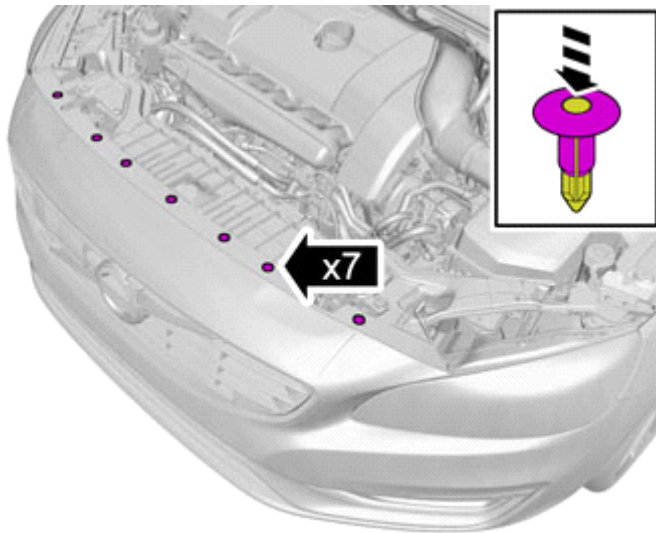
Remove the screws.



Installation instructions, accessories

Volvo Car Corporation Gothenburg, Sweden

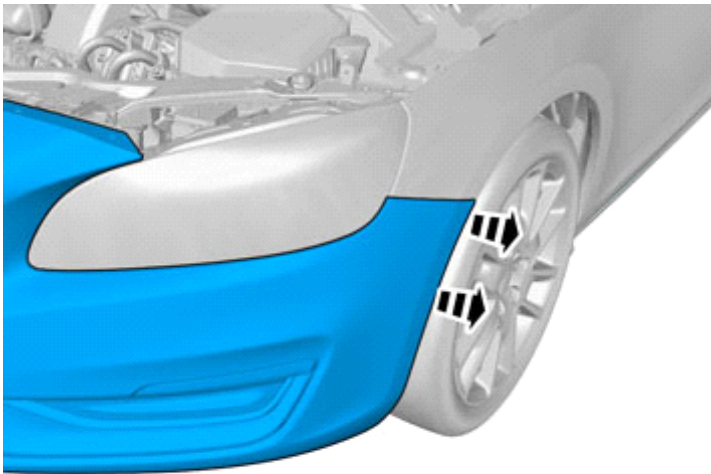
89



Remove the clips.

IMG-378111

90



Repeat on the other side.

IMG-378561

91



Caution!

Place the Bumper Cover on a suitable surface.

IMG-378577

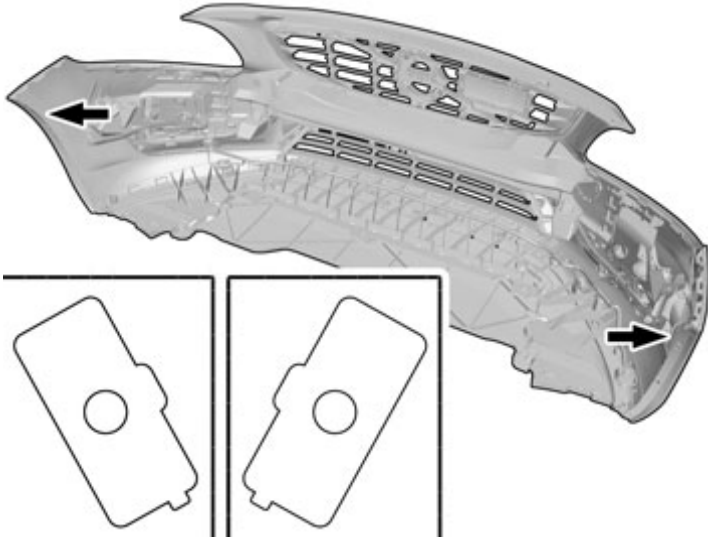


Installation instructions, accessories

Volvo Car Corporation Gothenburg, Sweden

92

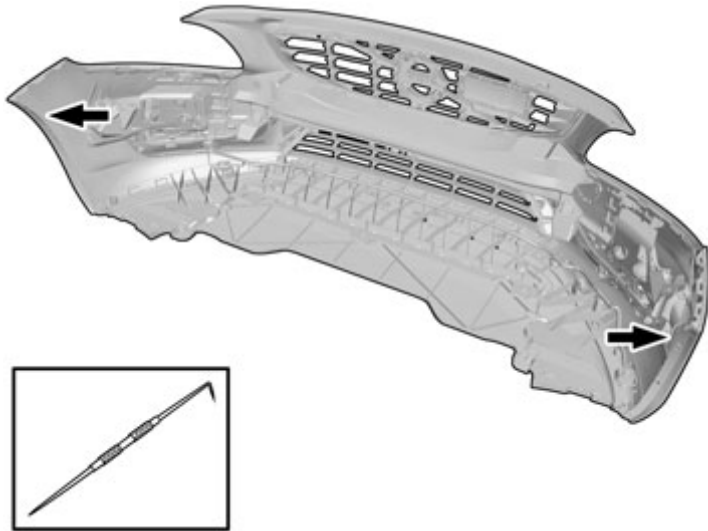
Locate the markings for the positions.



IMG-380218

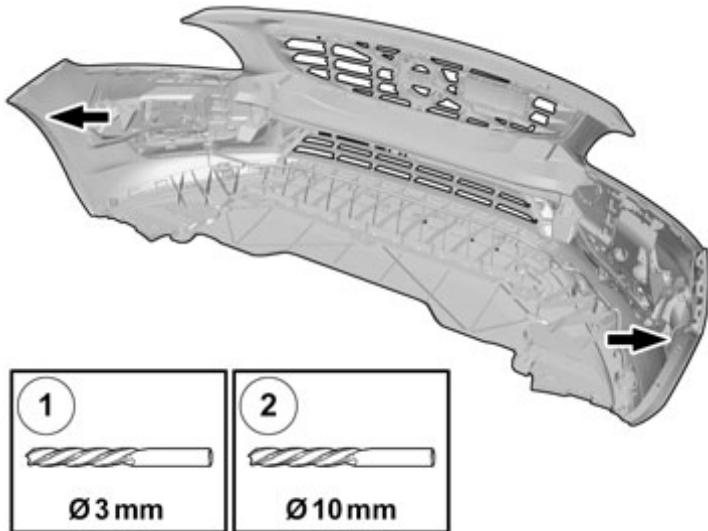
93

Mark the centre.



IMG-380219

94



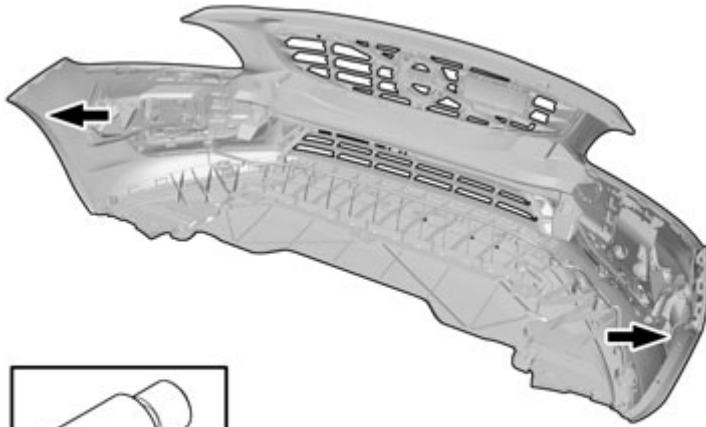
IMG-380220



Installation instructions, accessories

Volvo Car Corporation Gothenburg, Sweden

95

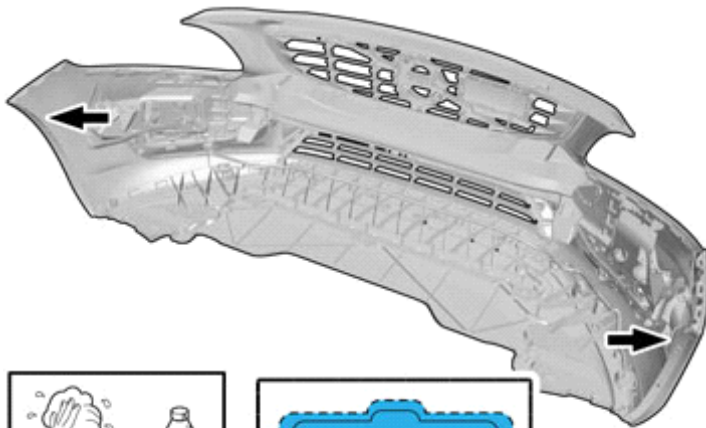


Use special tool: T9997234, Hole stamp



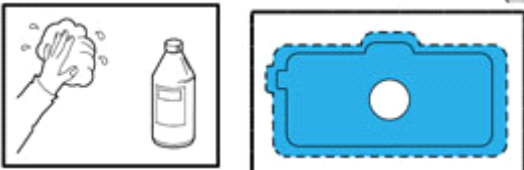
IMG-380221

96



Clean the surface.

Use: 1161721, Isopropanol



IMG-380222



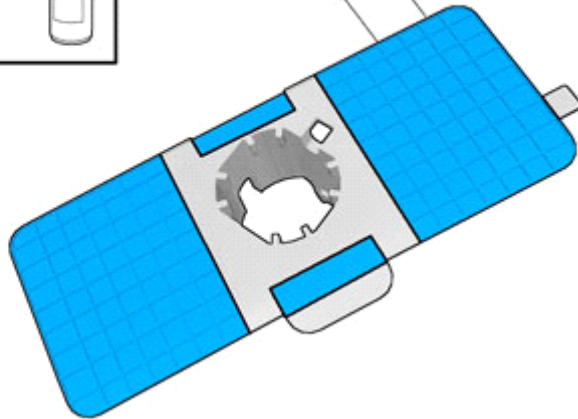
Installation instructions, accessories

Volvo Car Corporation Gothenburg, Sweden

97



U V

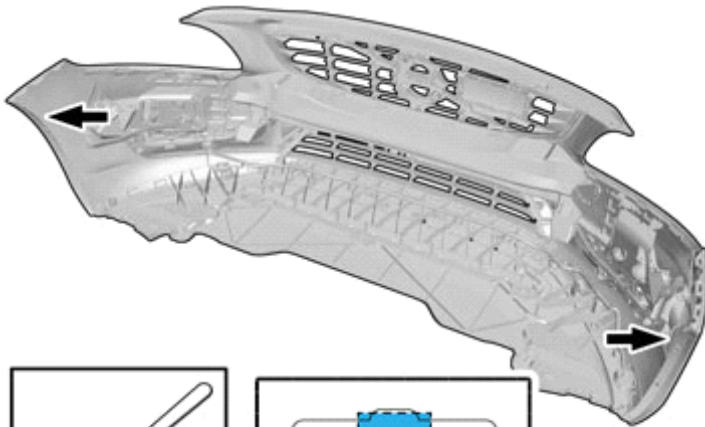


Clean the surface.

Use: 1161721, Isopropanol

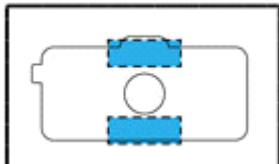
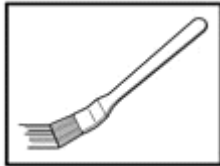
IMG-380230

98



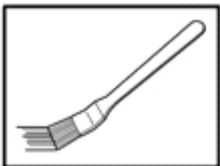
Use: 1161765, Primer

Allow to dry for at least 2 minutes, but no more than 60minutes.



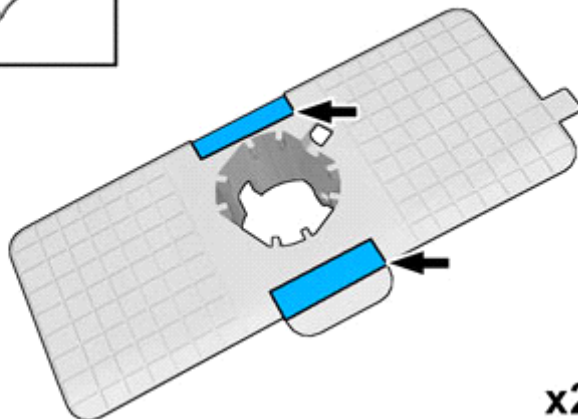
IMG-380223

99



Use: 1161765, Primer

Allow to dry for at least 2 minutes, but no more than 60minutes.



x2

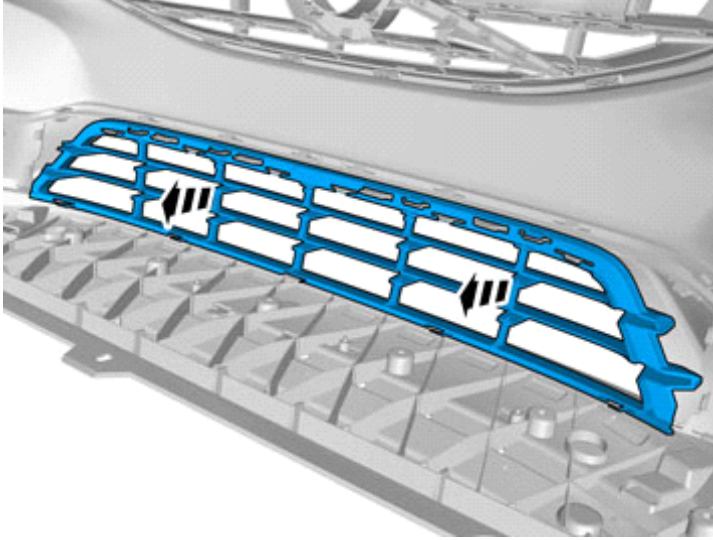
IMG-380231



Installation instructions, accessories

Volvo Car Corporation Gothenburg, Sweden

100



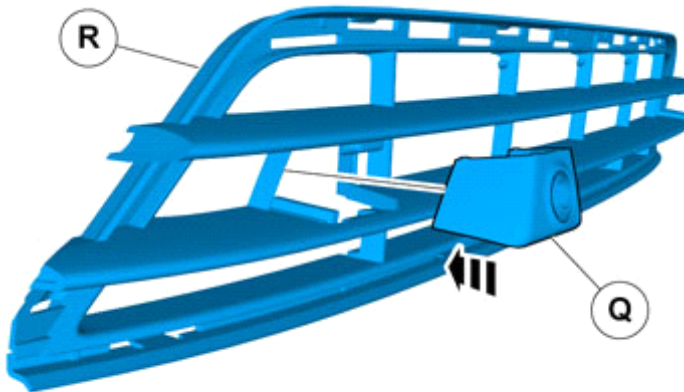
IMG-378579

Remove the marked part.

The part is not to be reused.

Accessory installation

101



IMG-378581

Repeat on the other side.

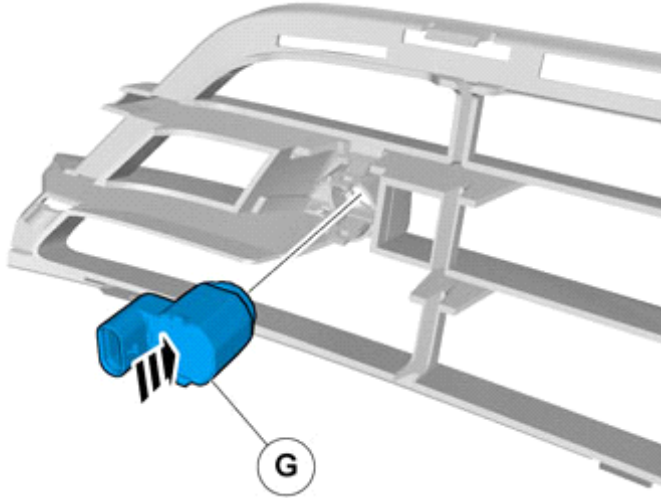


Installation instructions, accessories

Volvo Car Corporation Gothenburg, Sweden

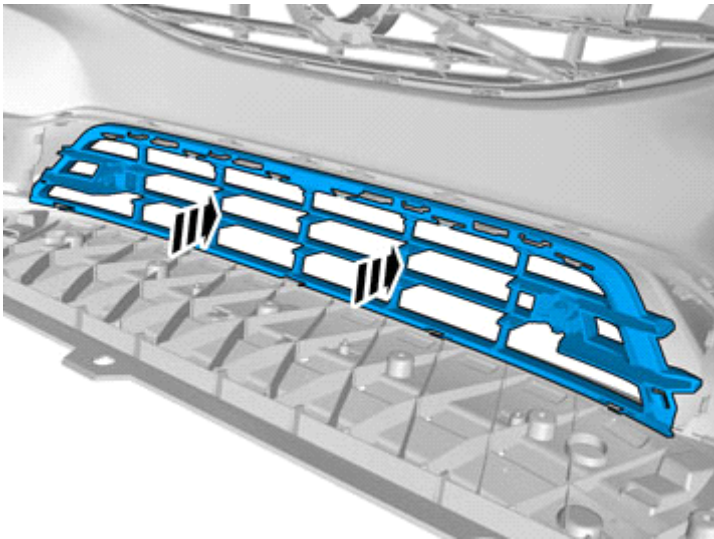
102

Repeat on the other side.



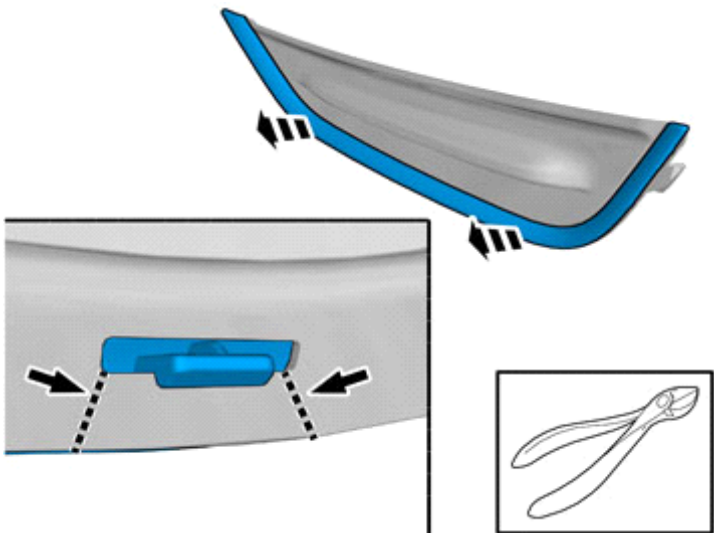
IMG-378583

103



IMG-378584

104



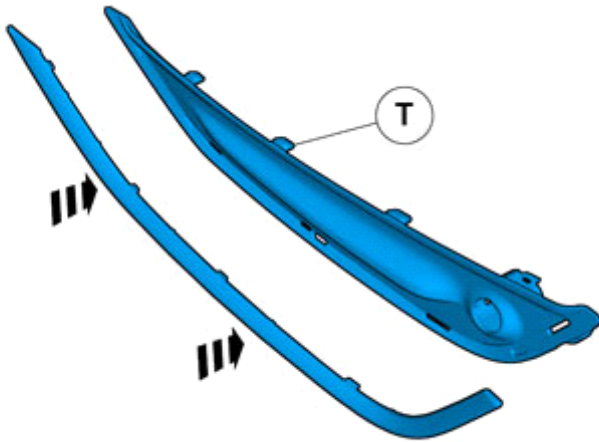
IMG-382218



Installation instructions, accessories

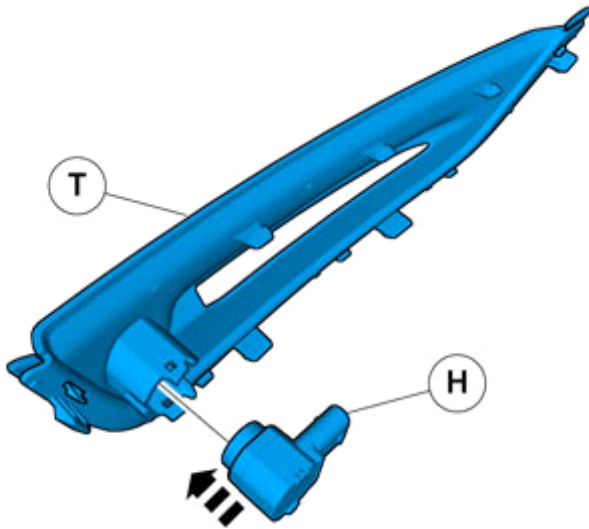
Volvo Car Corporation Gothenburg, Sweden

105



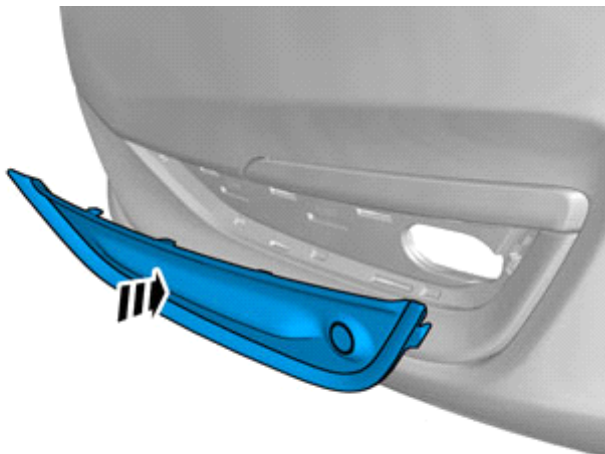
IMG-382219

106



IMG-378590

107



Repeat on the other side.

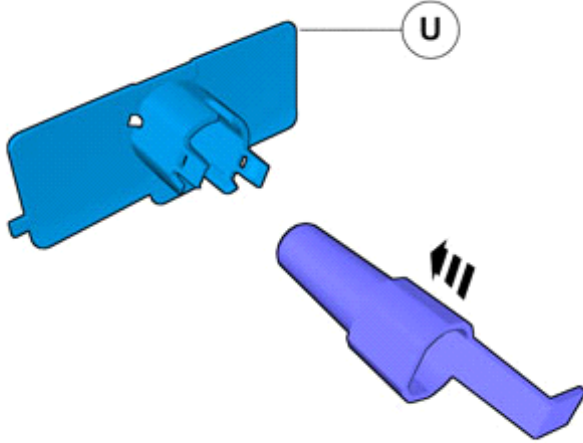
IMG-378591



Installation instructions, accessories

Volvo Car Corporation Gothenburg, Sweden

108

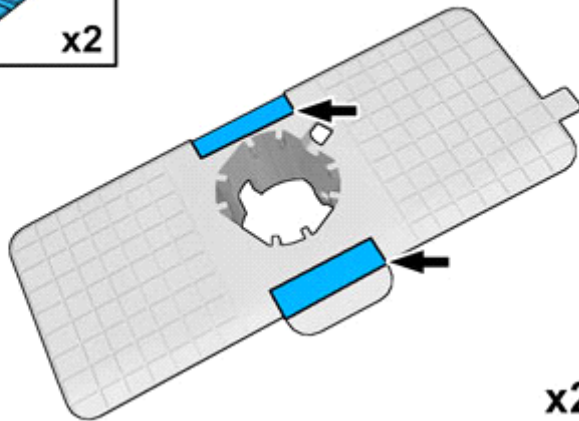
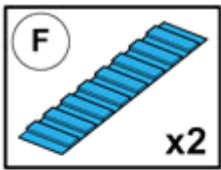


Note!

Prepare and install one holder at a time.

IMG-380257

109



Note!

Ensure that the tape is fixed to the surface.

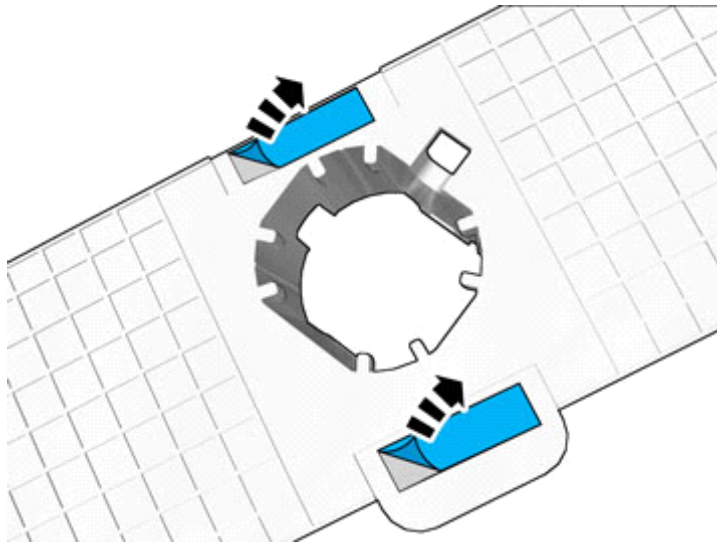
IMG-380259



Installation instructions, accessories

Volvo Car Corporation Gothenburg, Sweden

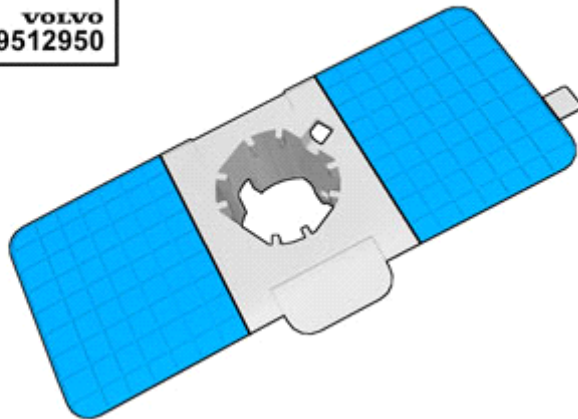
110



IMG-380264

Remove the protective film.

111



IMG-380262

Warning!

Wear protective gloves.

Warning!

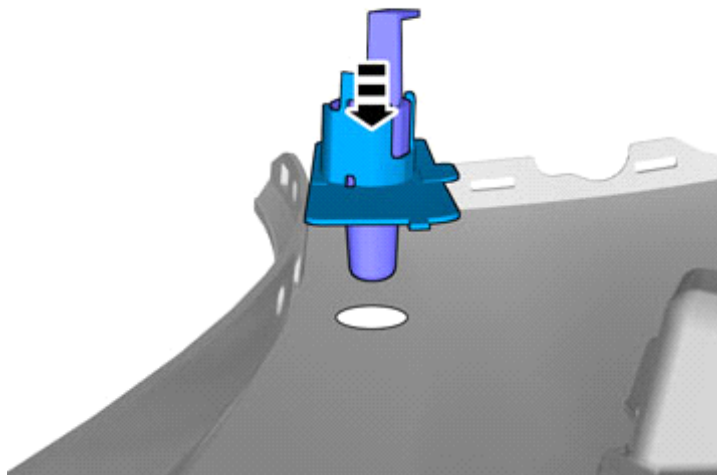
Make sure to provide adequate ventilation.

Use special tool: T9512950, Glue gun (kit)

Use: 1161730, Mixing pipe

Use: 9511027, Glue

112



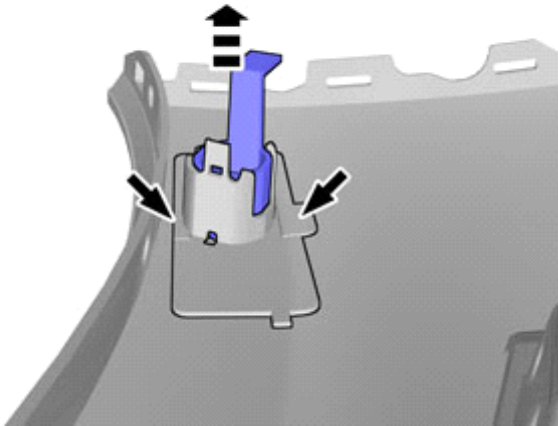
IMG-380261



Installation instructions, accessories

Volvo Car Corporation Gothenburg, Sweden

113

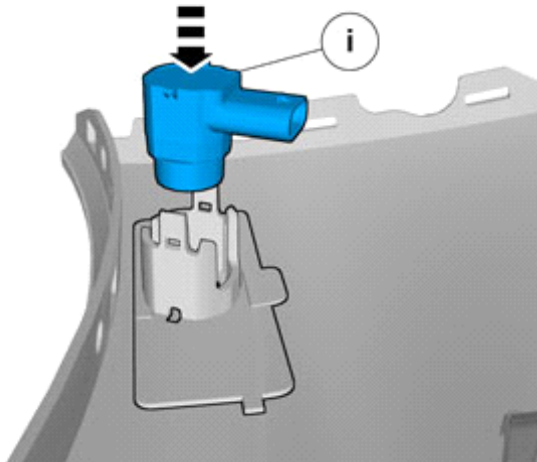


IMG-380275

Note!

Hold the part securely at the marker arrows when removing the tool.

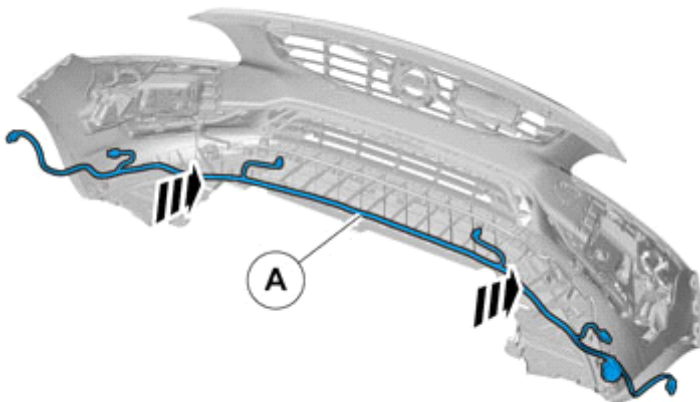
114



IMG-380279

Repeat on the other side.

115



Put the wiring in the Bumper cover without installing the wiring.

RHD: The cable harness is positioned mirrored.

IMG-378592

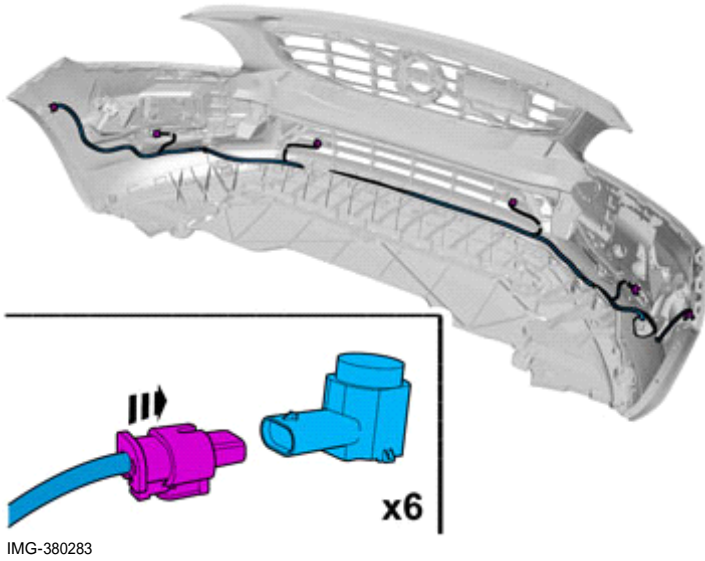


Installation instructions, accessories

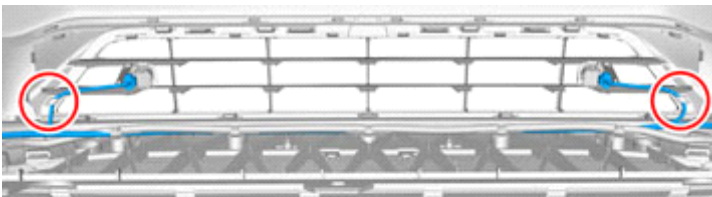
Volvo Car Corporation Gothenburg, Sweden

116

Connect the connectors.

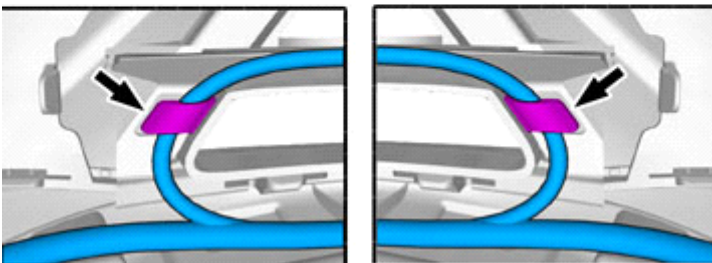


117



Note!
Make sure that the wiring harness is not visible from outside.

Position/route the cable harness as illustrated.



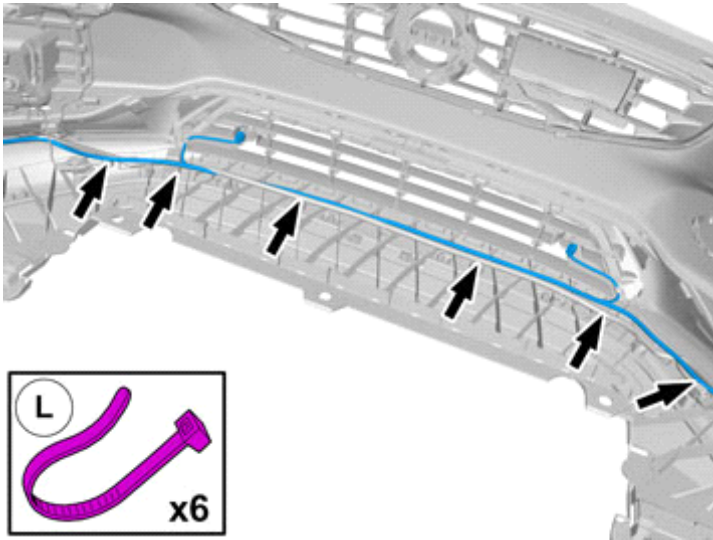
IMG-378598



Installation instructions, accessories

Volvo Car Corporation Gothenburg, Sweden

118



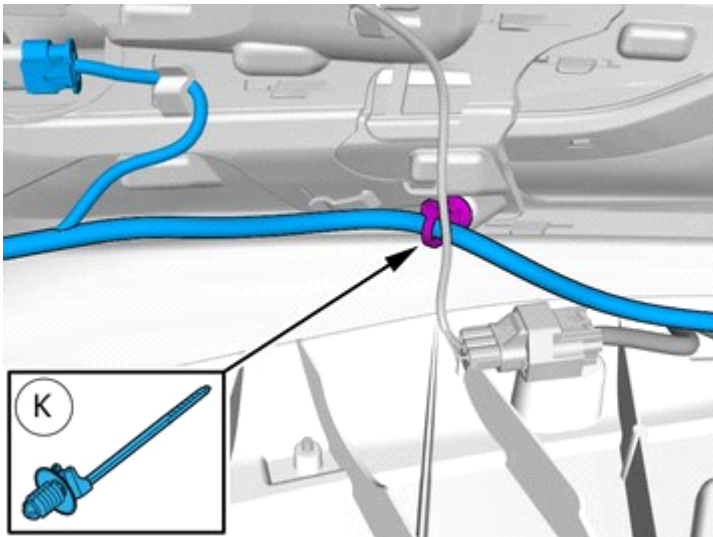
IMG-378596

Position/route the cable harness as illustrated.

Adjust the position of the wiring harness.

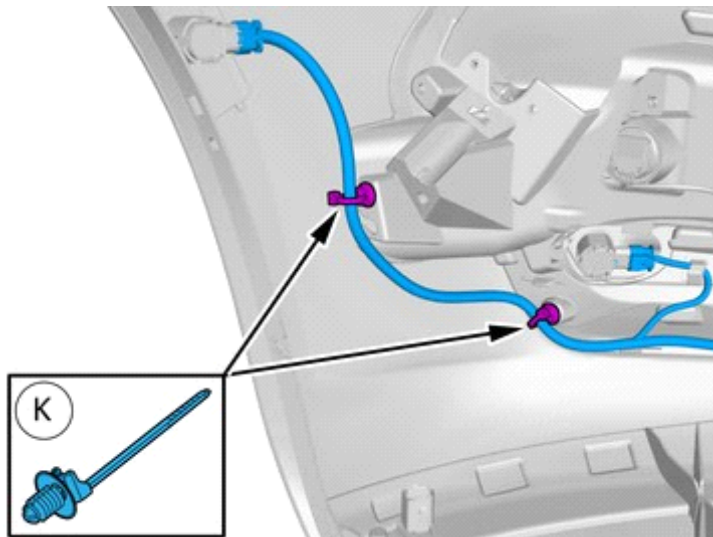
Tighten the cable ties.

119



IMG-396898

120



IMG-380288

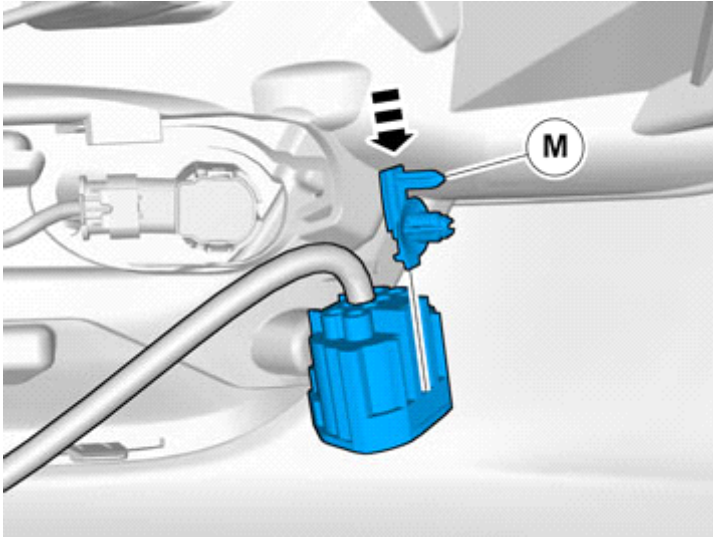
Repeat on the other side.



Installation instructions, accessories

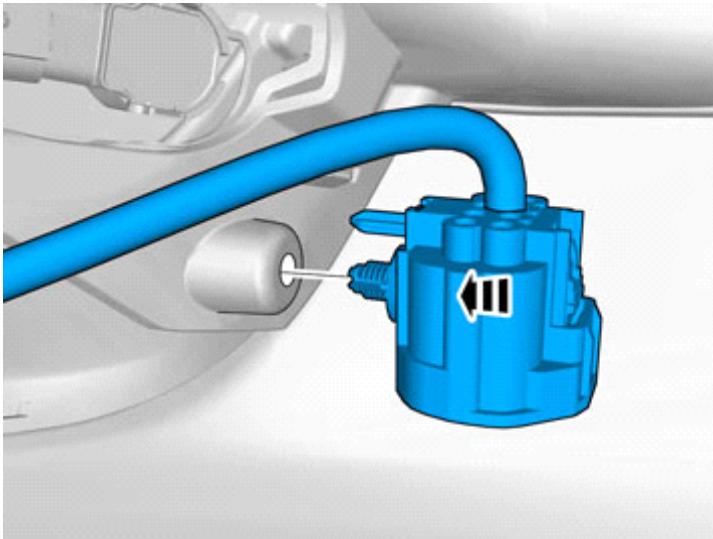
Volvo Car Corporation Gothenburg, Sweden

121



IMG-378602

122



IMG-378603

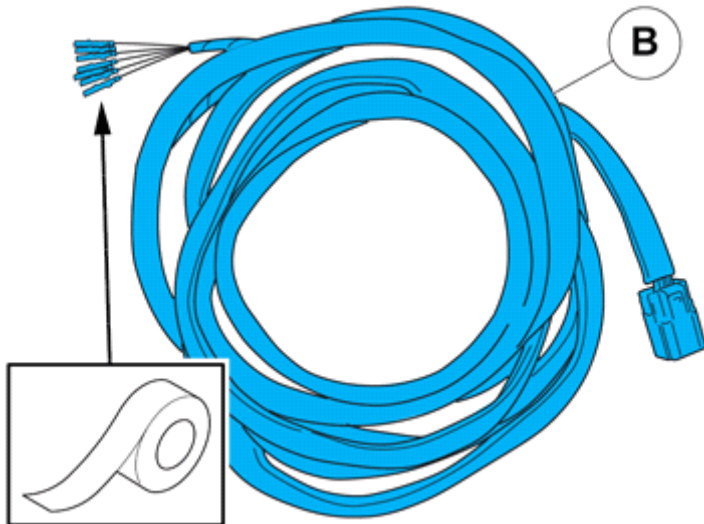
Left hand drive vehicles



Installation instructions, accessories

Volvo Car Corporation Gothenburg, Sweden

123

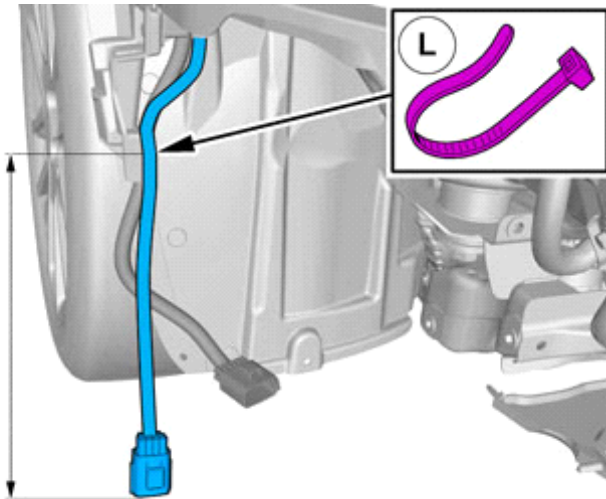


IMG-373258

Use: , Electrical tape

124

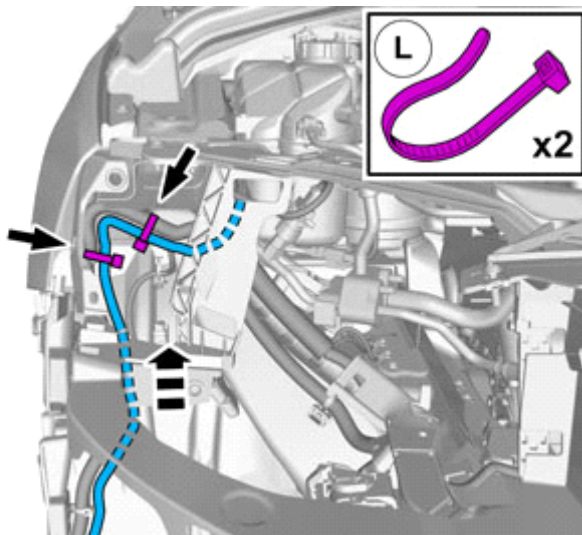
mm



IMG-382238

Position/route the cable harness as illustrated.

125



IMG-382240

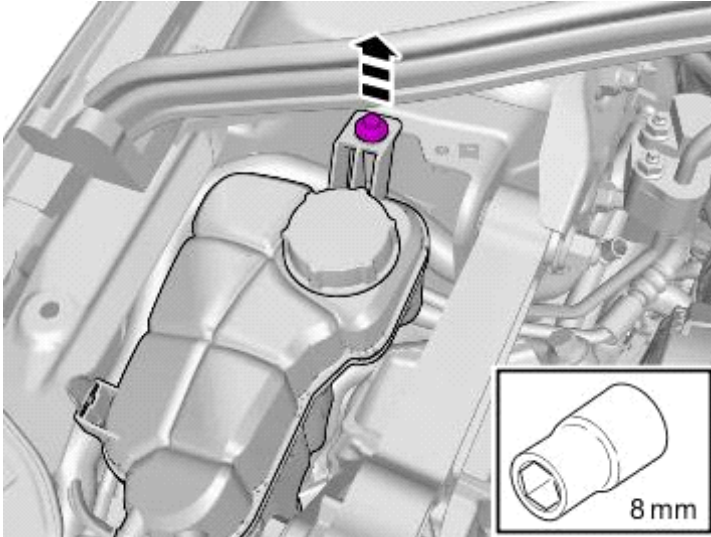
Position/route the cable harness as illustrated.



Installation instructions, accessories

Volvo Car Corporation Gothenburg, Sweden

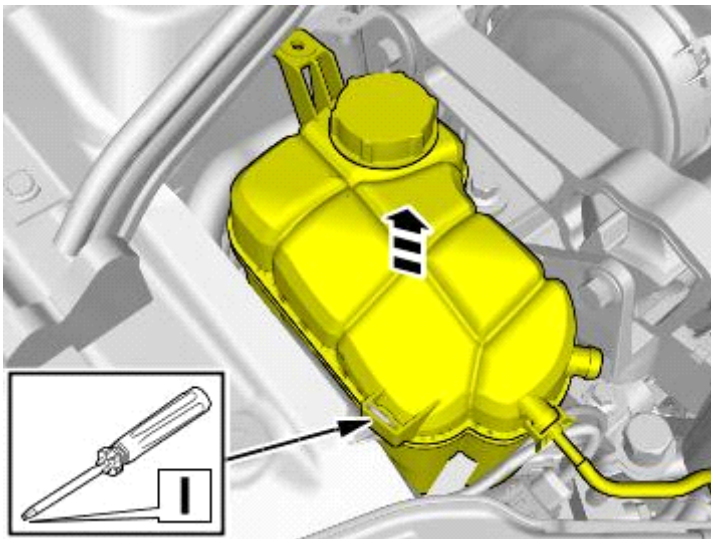
126



IMG-385294

Remove the screw.

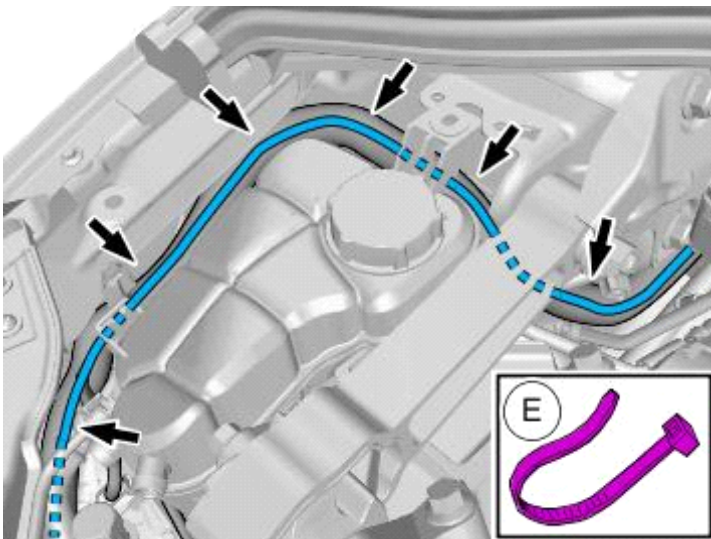
127



IMG-385291

Remove the marked part.

128



IMG-385299

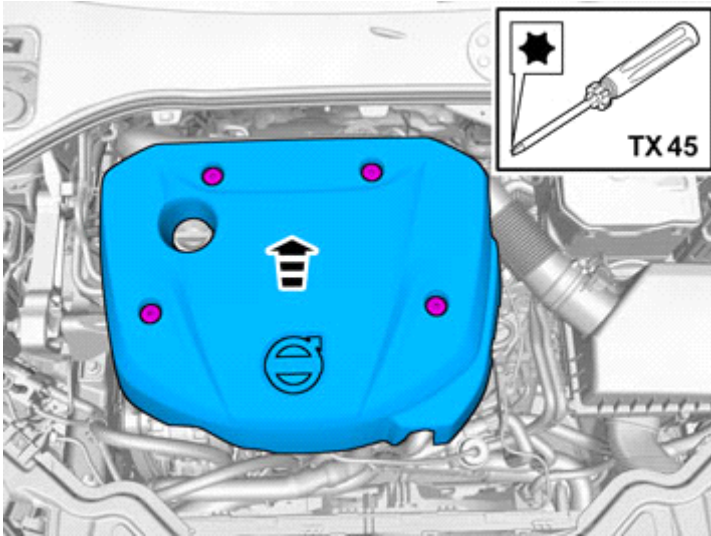
Route the cable harness to the existing cable harness.



Installation instructions, accessories

Volvo Car Corporation Gothenburg, Sweden

129

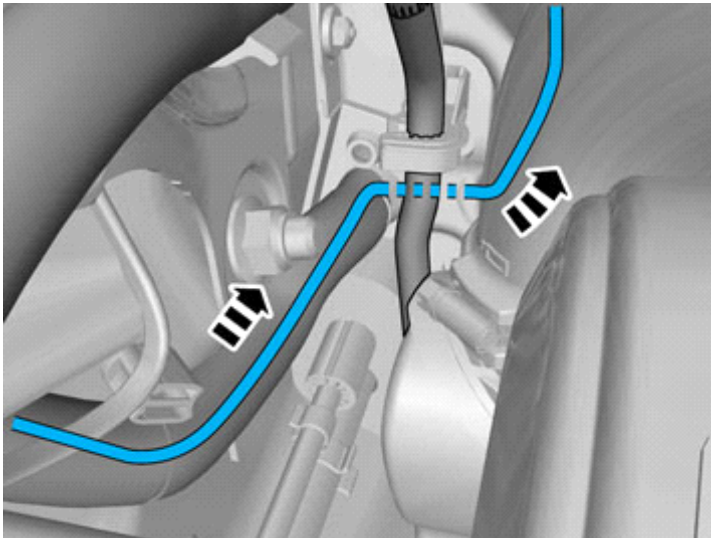


IMG-382242

Remove the screws.

Remove the marked part.

130



IMG-382377

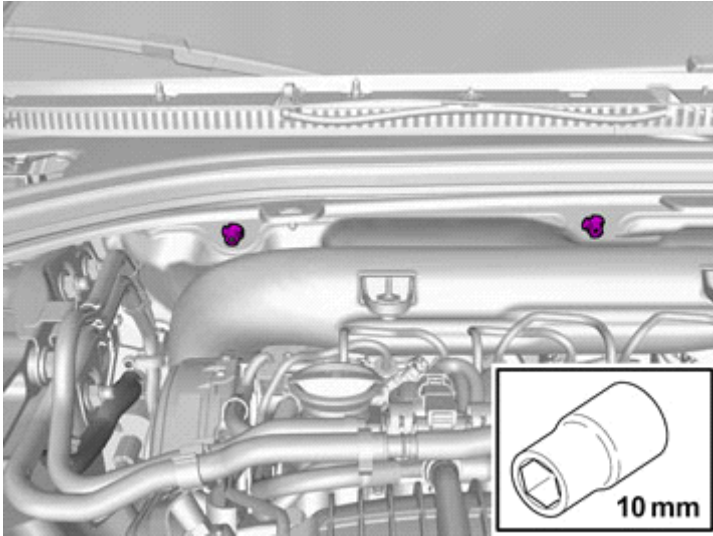
Position/route the cable harness as illustrated.



Installation instructions, accessories

Volvo Car Corporation Gothenburg, Sweden

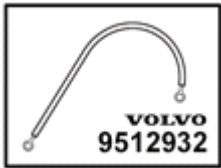
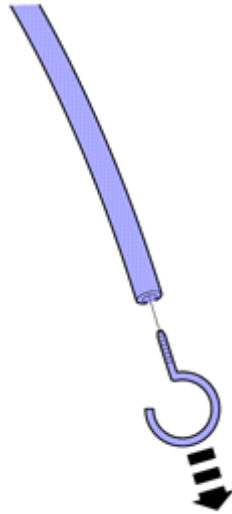
131



IMG-382375

Remove the nuts.

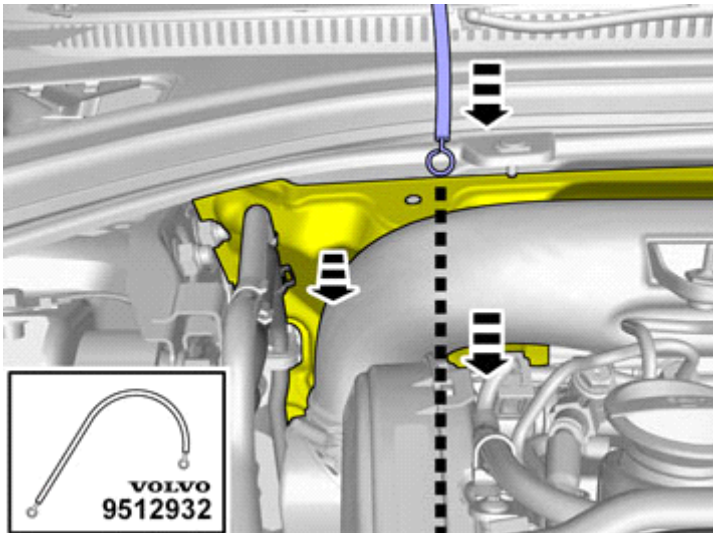
132



IMG-382372

Use special tool: T9512932, Tension spring

133



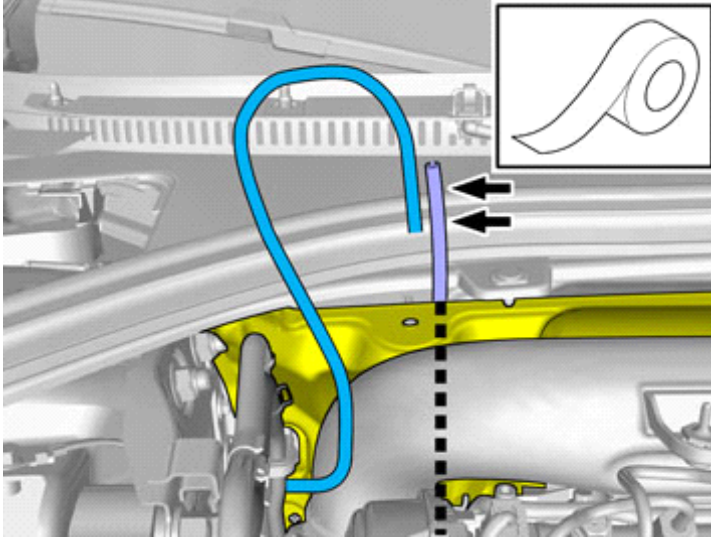
IMG-382378



Installation instructions, accessories

Volvo Car Corporation Gothenburg, Sweden

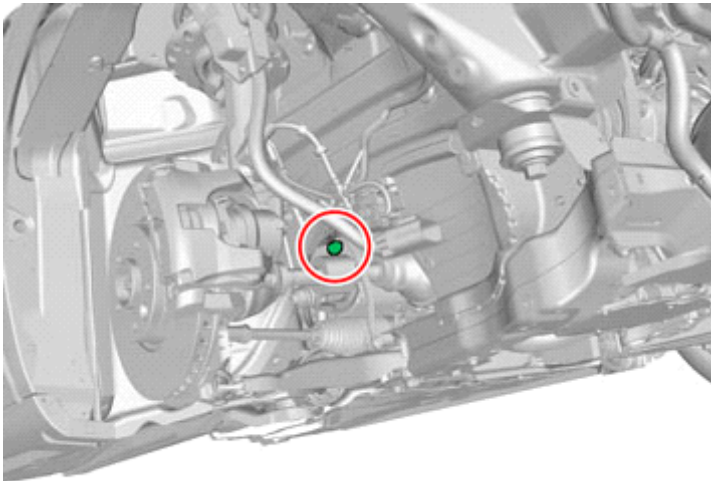
134



IMG-382381

Use: , Electrical tape

135

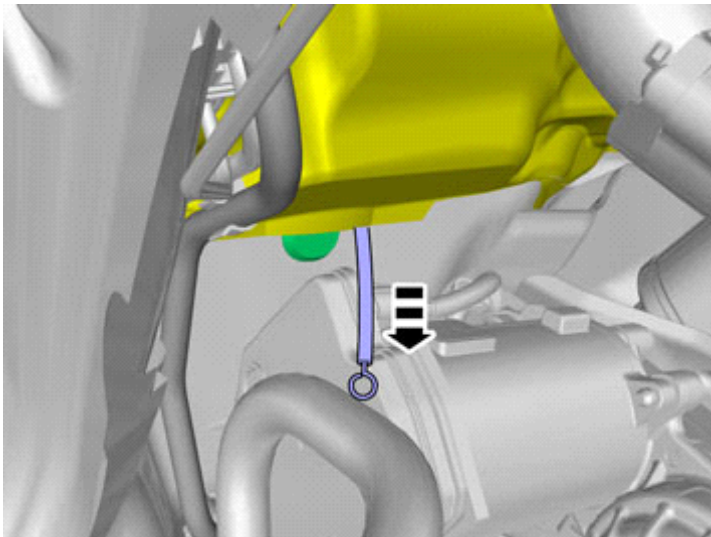


IMG-382388

Note!
Orientation view

Note!
On some markets the rubber grommet may be covered by the heat shield.

136



IMG-382389

Pull the wiring through.

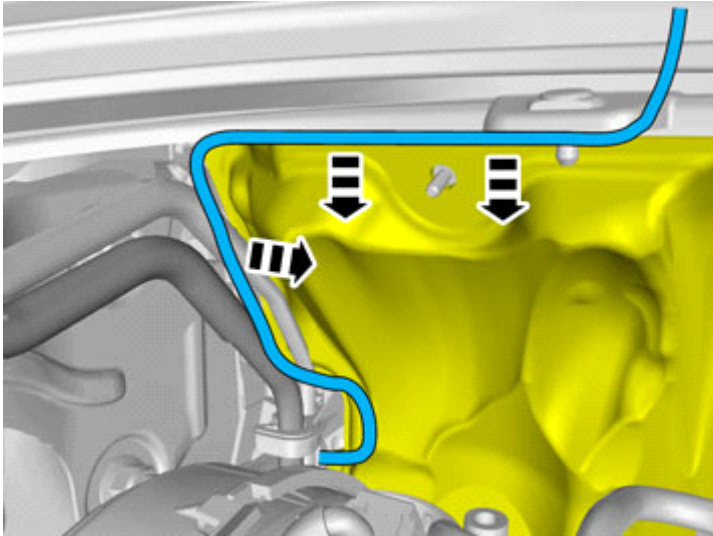
Remove the Special Tool.



Installation instructions, accessories

Volvo Car Corporation Gothenburg, Sweden

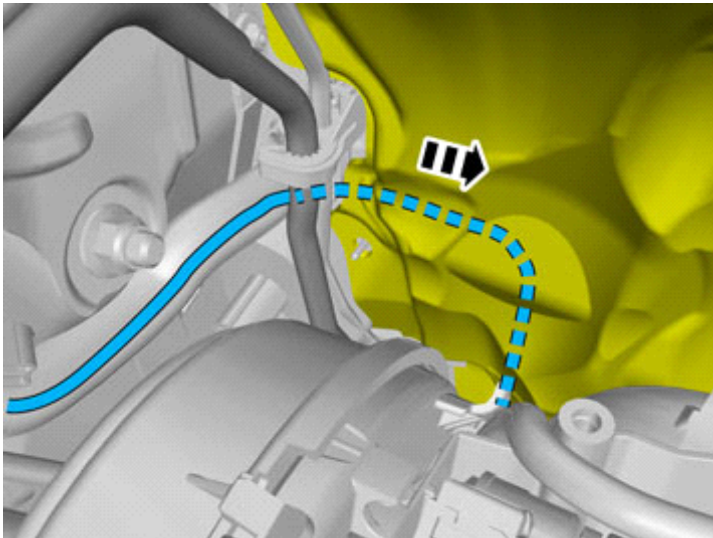
137



IMG-382392

Position/route the cable harness as illustrated.

138



IMG-382393

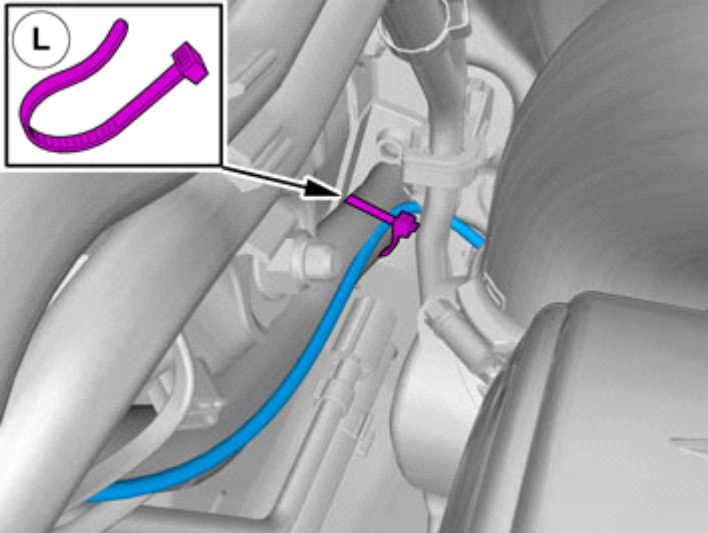
Position/route the cable harness as illustrated.



Installation instructions, accessories

Volvo Car Corporation Gothenburg, Sweden

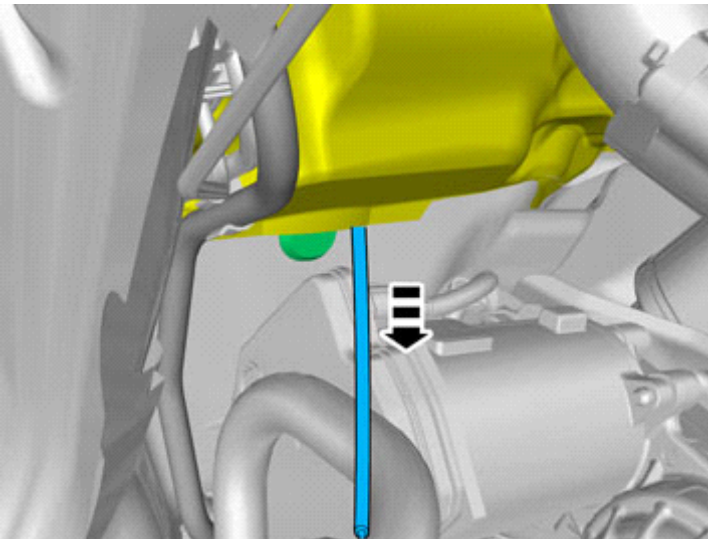
139



IMG-382395

Install the cable.

140



IMG-382399

Pull the wiring through.

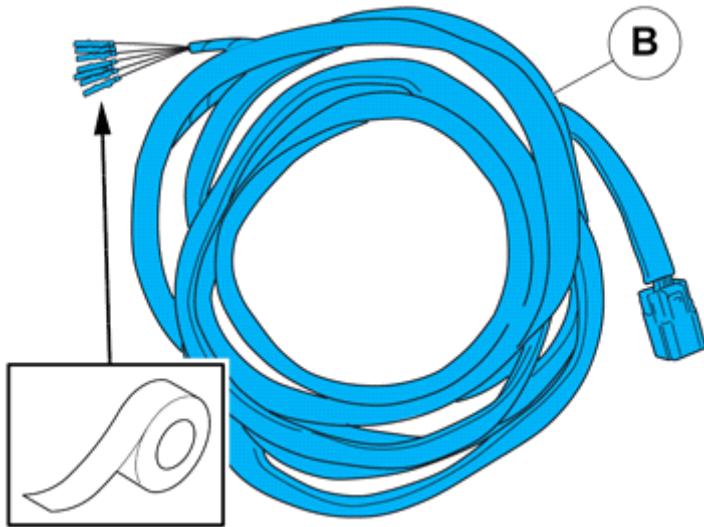
Right-hand drive vehicles



Installation instructions, accessories

Volvo Car Corporation Gothenburg, Sweden

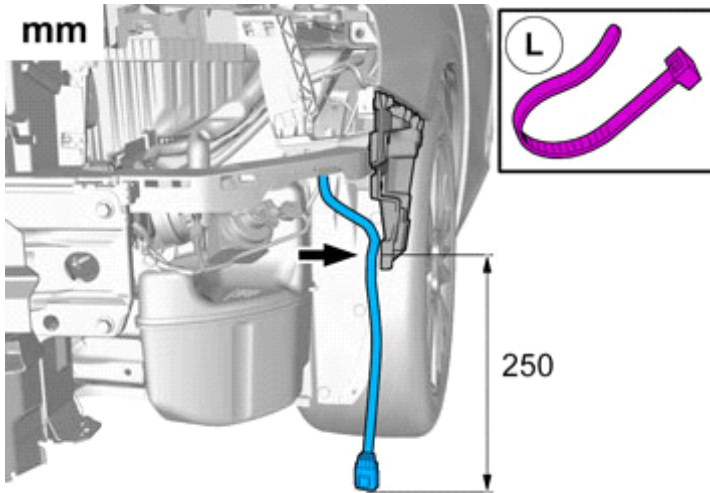
141



IMG-373258

Use: , Electrical tape

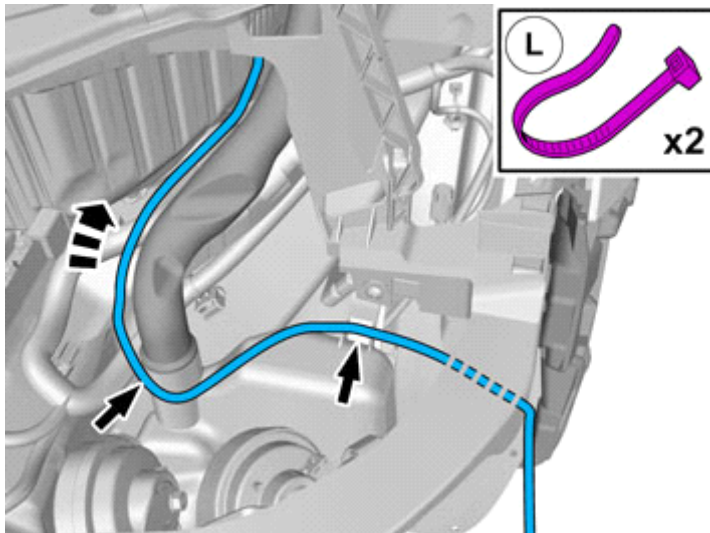
142



IMG-382245

Position/route the cable harness as illustrated.

143



IMG-382246

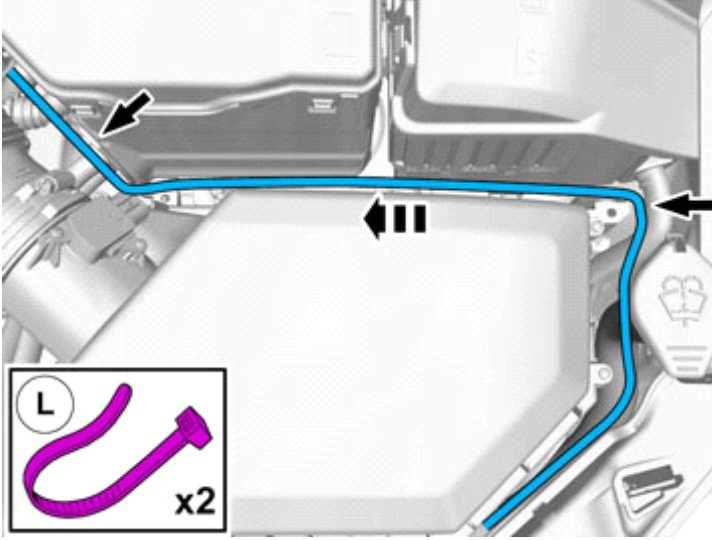
Position/route the cable harness as illustrated.



Installation instructions, accessories

Volvo Car Corporation Gothenburg, Sweden

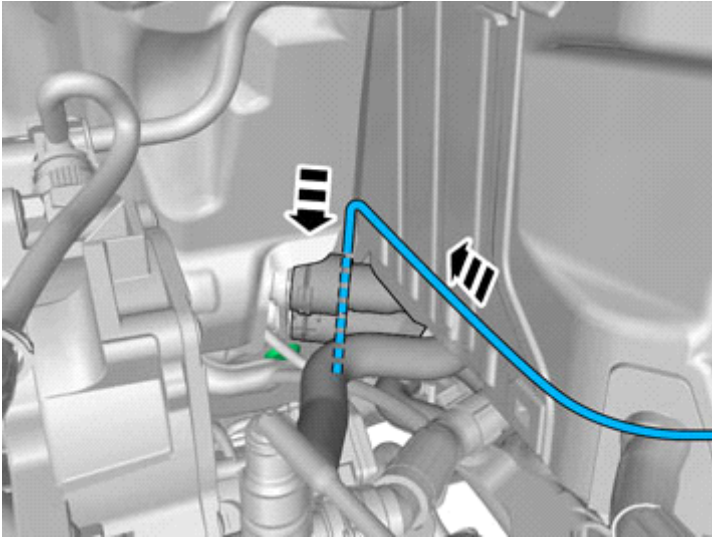
144



IMG-382247

Position/route the cable harness as illustrated.

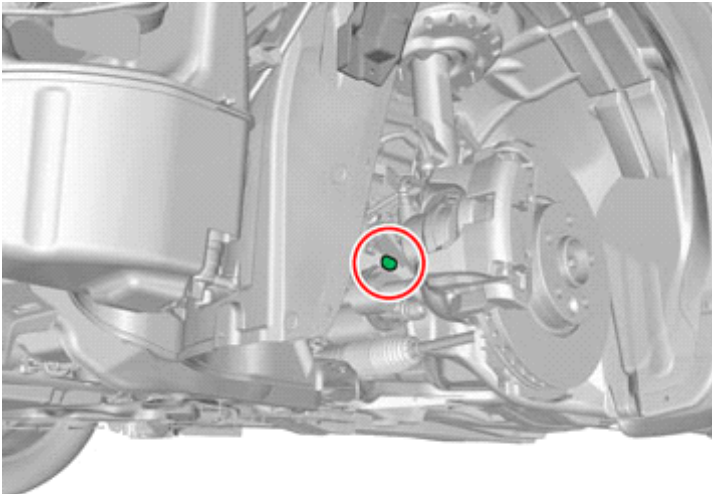
145



IMG-382258

Position/route the cable harness as illustrated.

146



IMG-382262

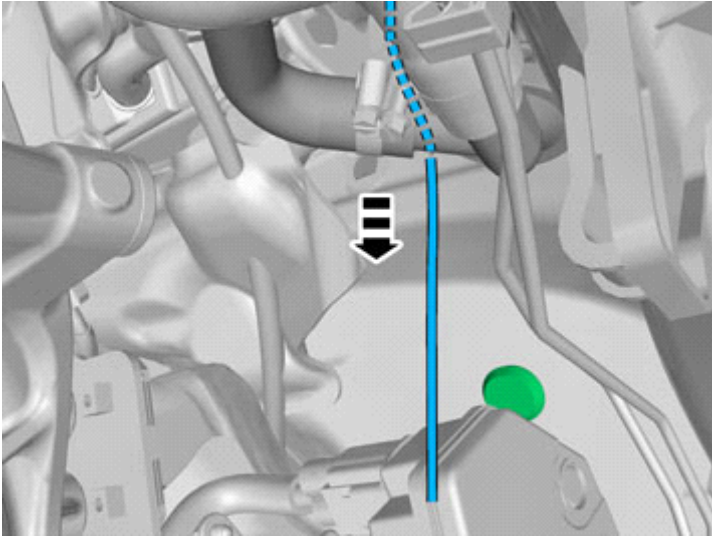
Note!
Orientation view



Installation instructions, accessories

Volvo Car Corporation Gothenburg, Sweden

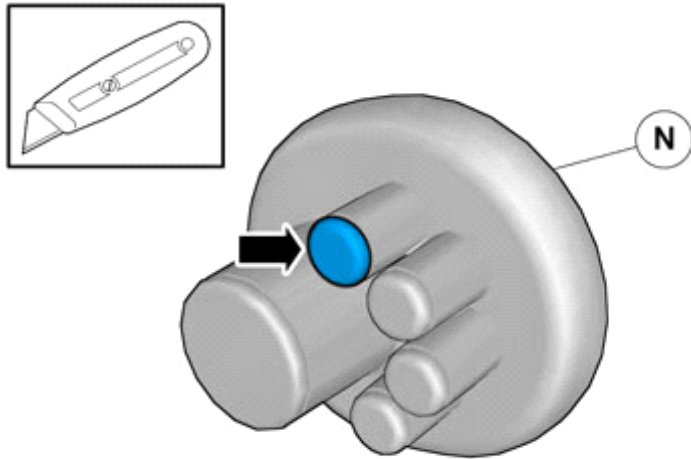
147



IMG-382261

All vehicles

148



IMG-372722

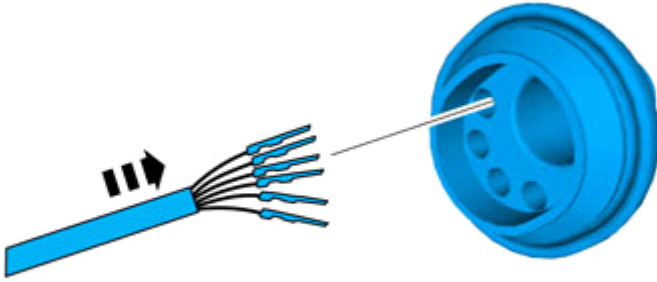


Installation instructions, accessories

Volvo Car Corporation Gothenburg, Sweden

149

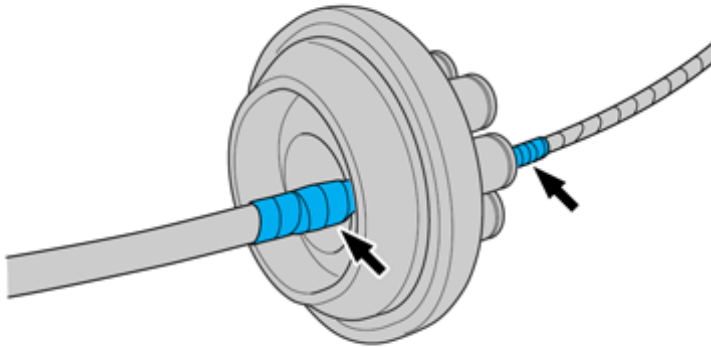
Pull the wiring through.



IMG-382174

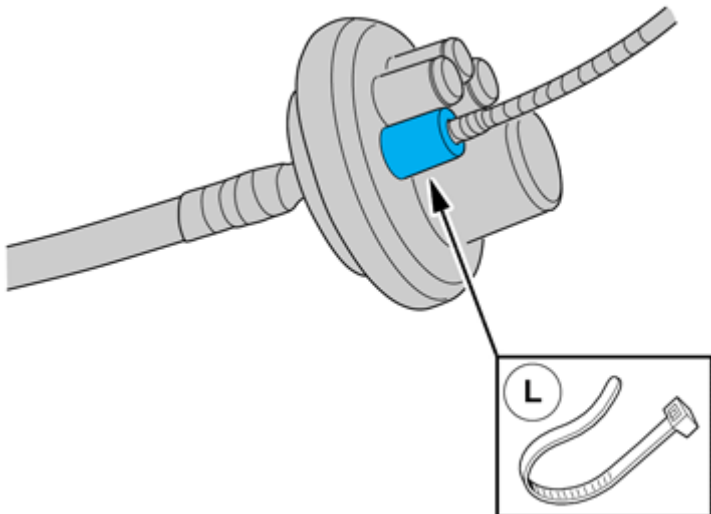
150

Place the component where indicated in the graphic.



IMG-382176

151



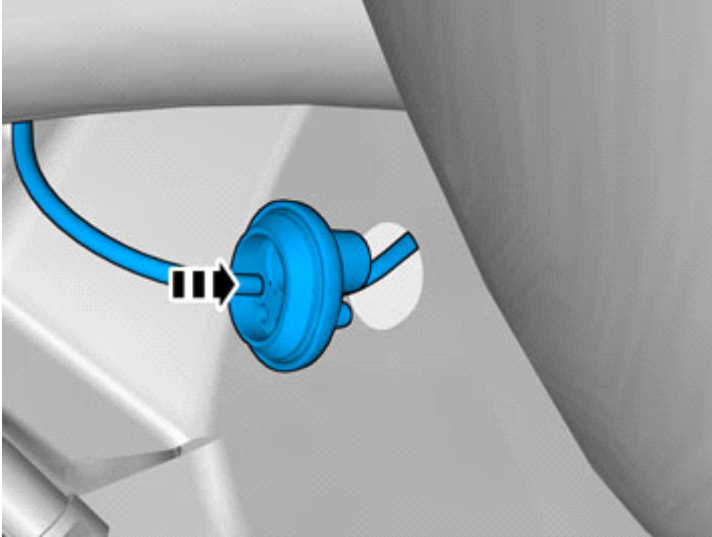
IMG-382175



Installation instructions, accessories

Volvo Car Corporation Gothenburg, Sweden

152



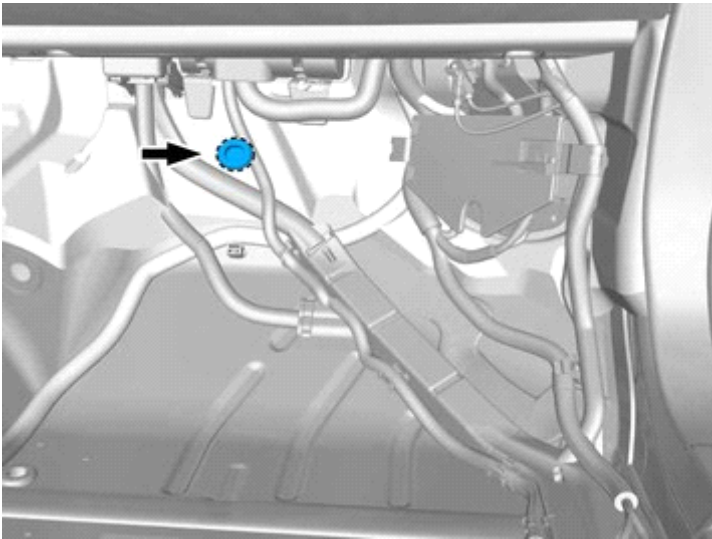
IMG-382183

Note!

Push the rubber grommet well through the hole.

Pull the wiring through.

153

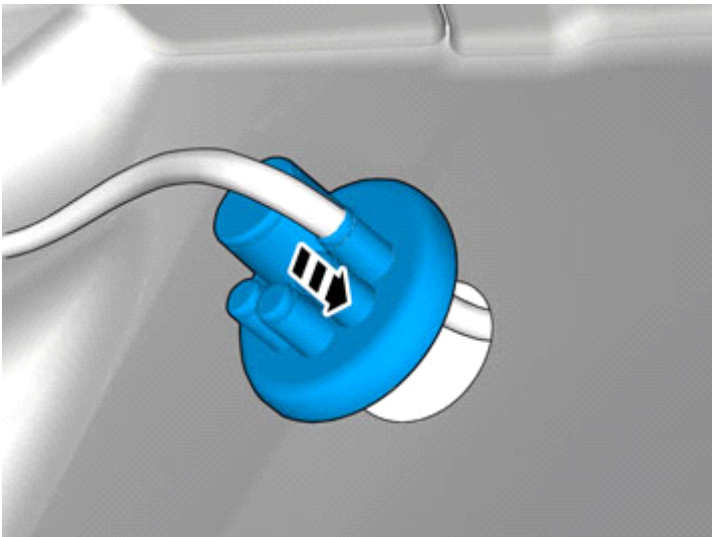


IMG-396281

Note!

Orientation view

154



IMG-382178

Caution!

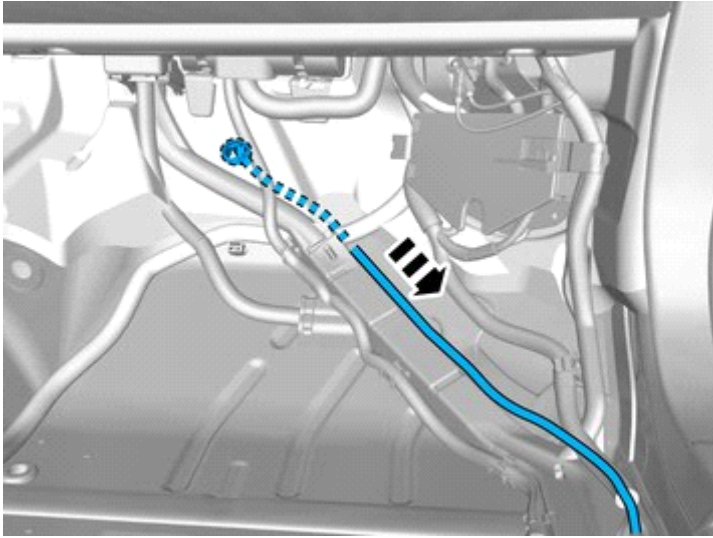
Make sure that the rubber grommet seals properly to the body.



Installation instructions, accessories

Volvo Car Corporation Gothenburg, Sweden

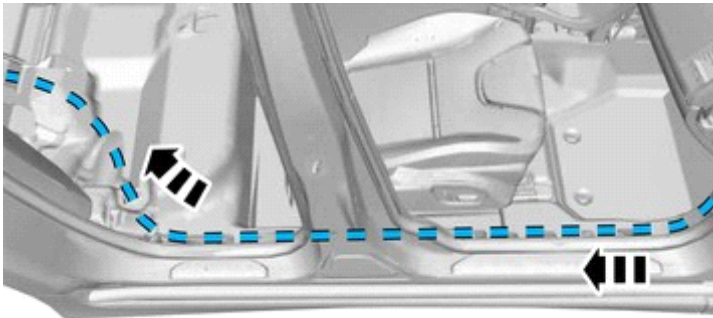
155



IMG-396275

Position/route the cable harness as illustrated.

156



IMG-396277

Position/route the cable harness as illustrated.

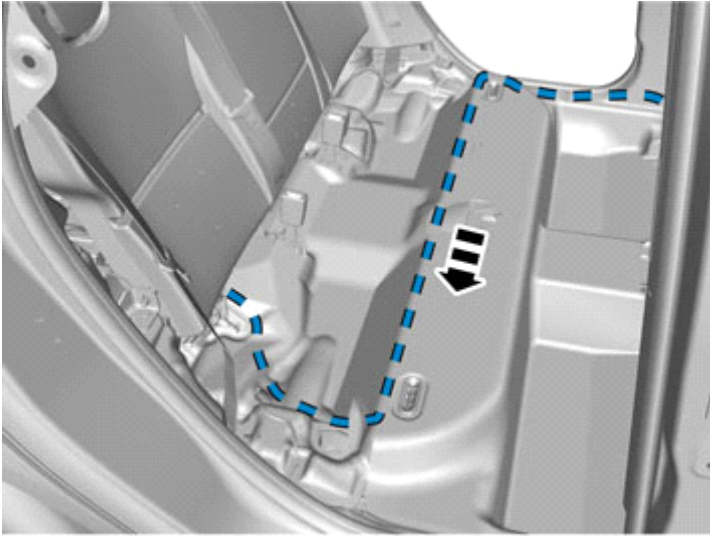
Right-hand drive vehicles



Installation instructions, accessories

Volvo Car Corporation Gothenburg, Sweden

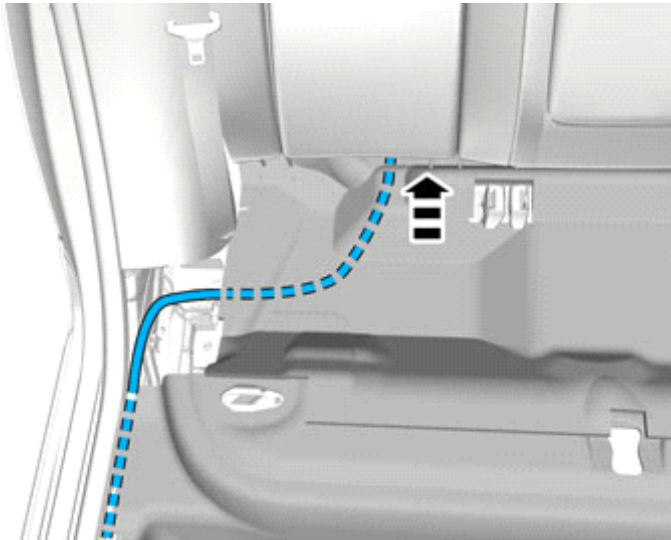
157



IMG-308083

All vehicles

158



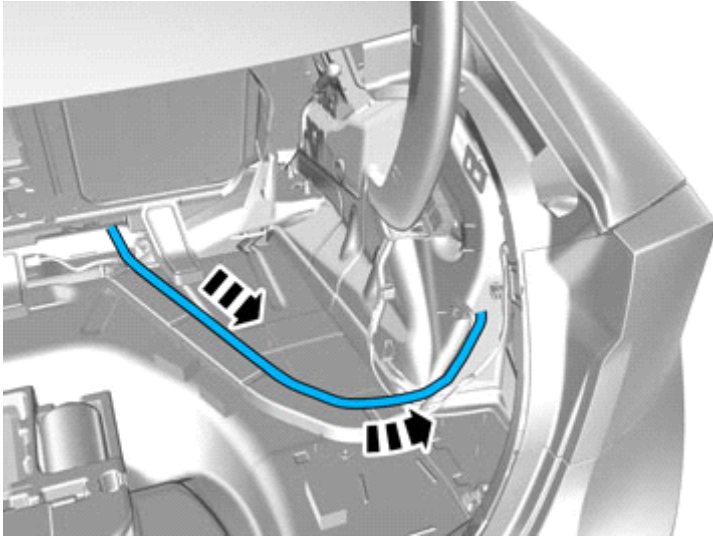
IMG-378628



Installation instructions, accessories

Volvo Car Corporation Gothenburg, Sweden

159



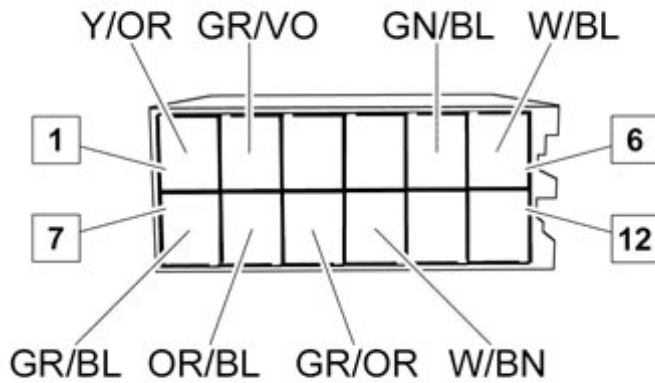
IMG-341976

Position/route the cable harness as illustrated.

Left hand drive vehicles

160

Connect the cable harness terminals in the connector as follows.



IMG-361341

Right-hand drive vehicles

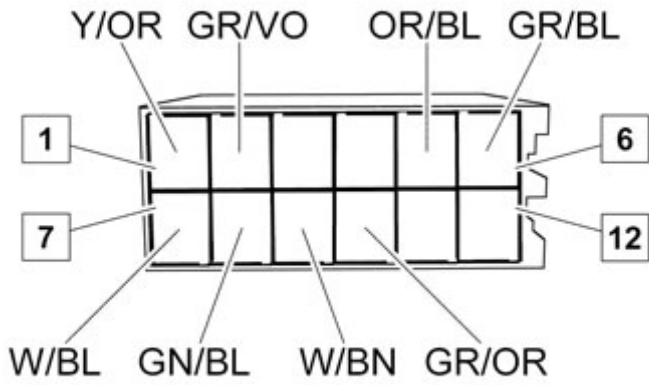


Installation instructions, accessories

Volvo Car Corporation Gothenburg, Sweden

161

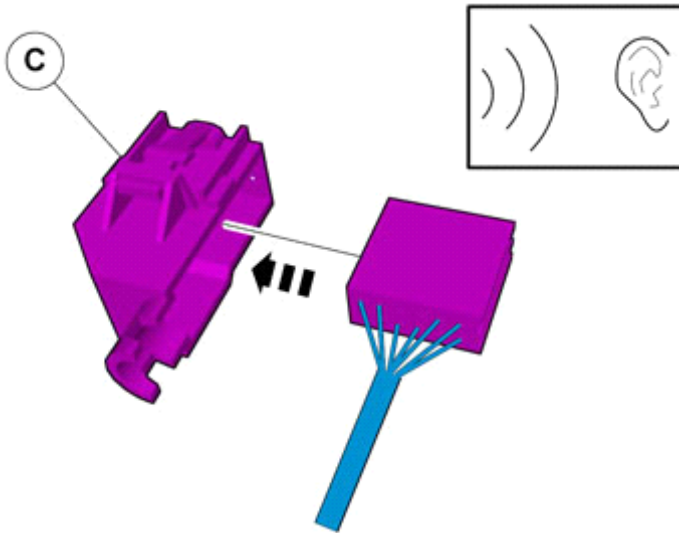
Connect the cable harness terminals in the connector as follows.



IMG-361342

All vehicles

162



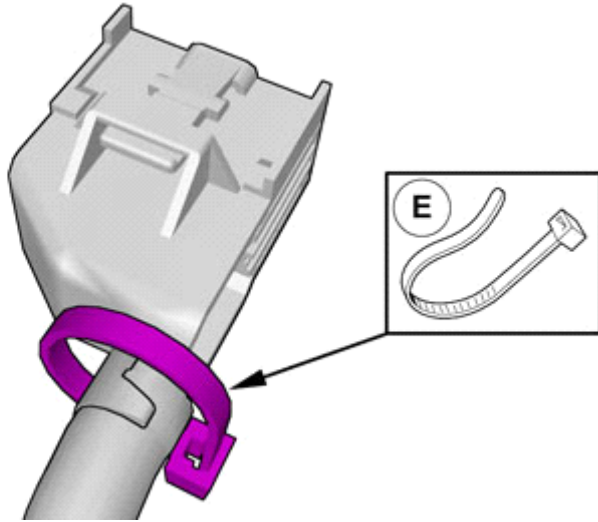
IMG-361376



Installation instructions, accessories

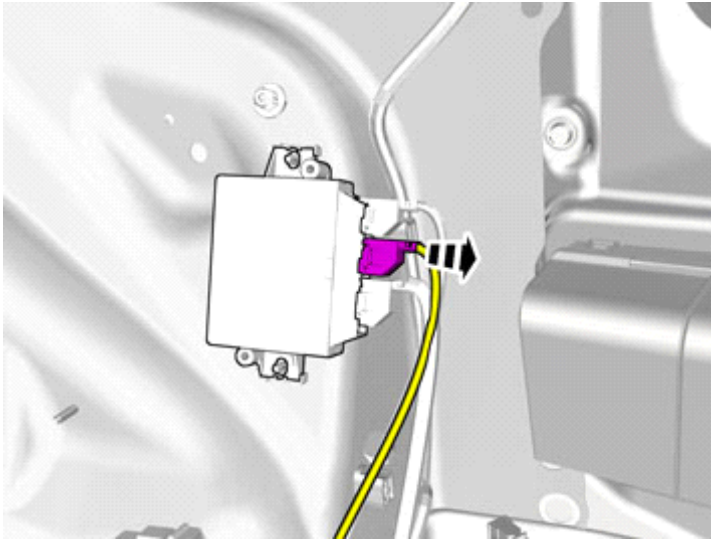
Volvo Car Corporation Gothenburg, Sweden

163



IMG-361377

164



IMG-378621

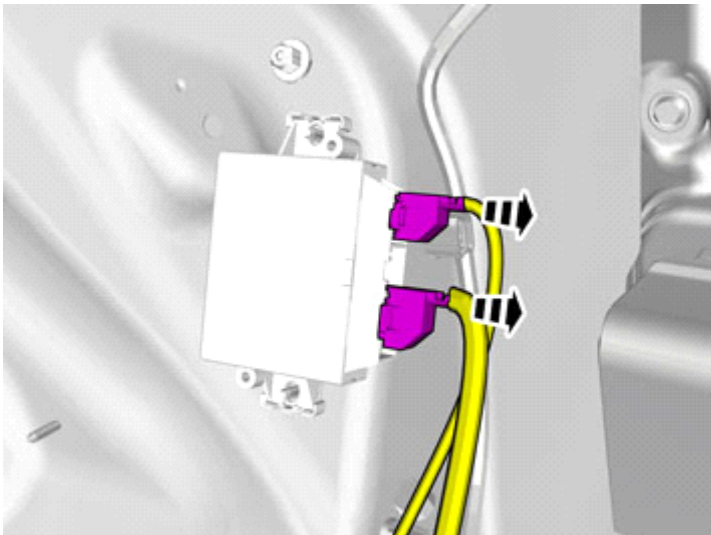
Disconnect the connector, if applicable.

Attach the connector to the wiring harness.

Use: , Electrical tape

The connector is not to be used.

165



IMG-378620

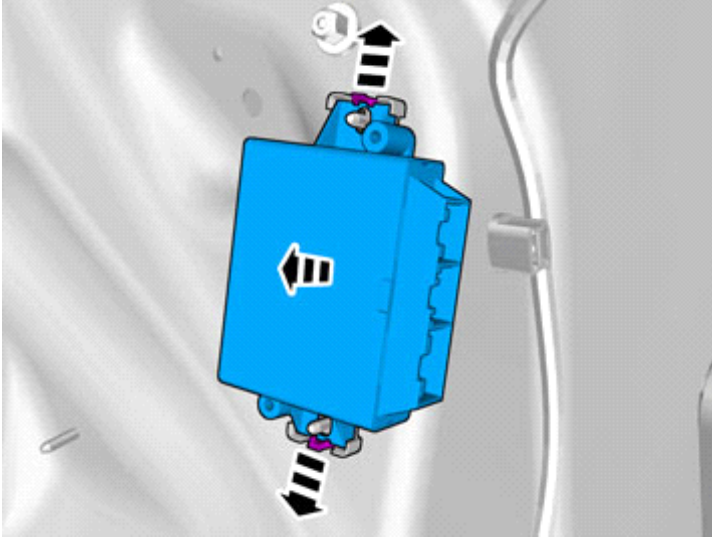
Disconnect the connectors.



Installation instructions, accessories

Volvo Car Corporation Gothenburg, Sweden

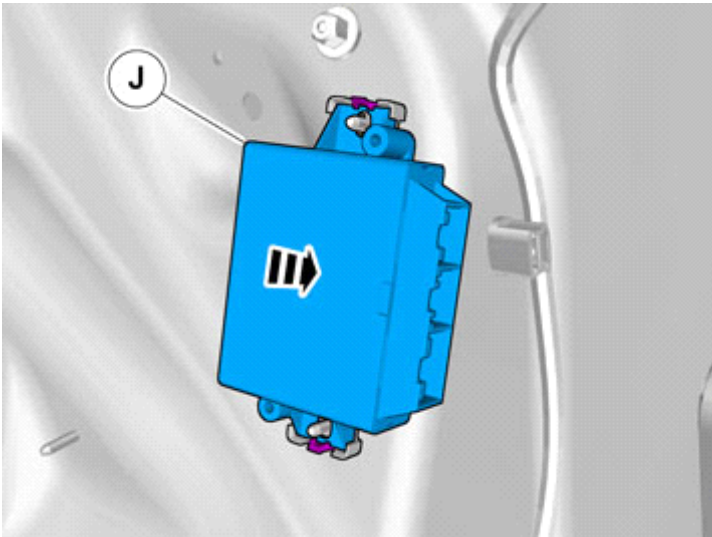
166



IMG-378617

The part is not to be reused.

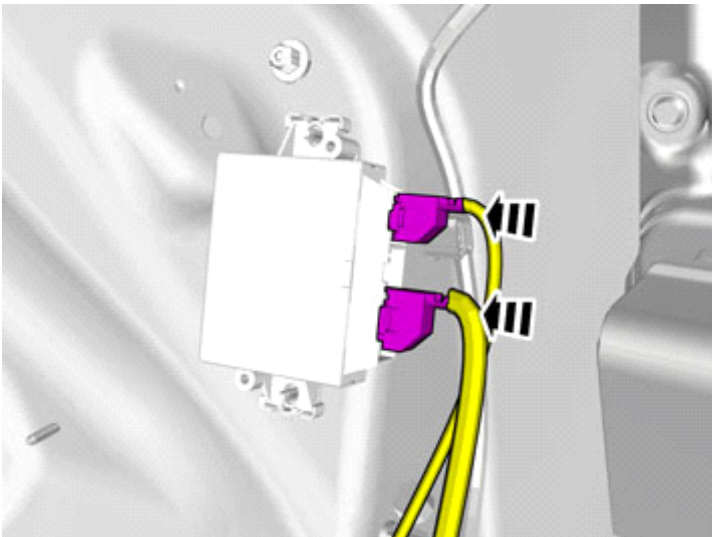
167



IMG-378616

Install component that comes with the accessory kit.

168



IMG-378619

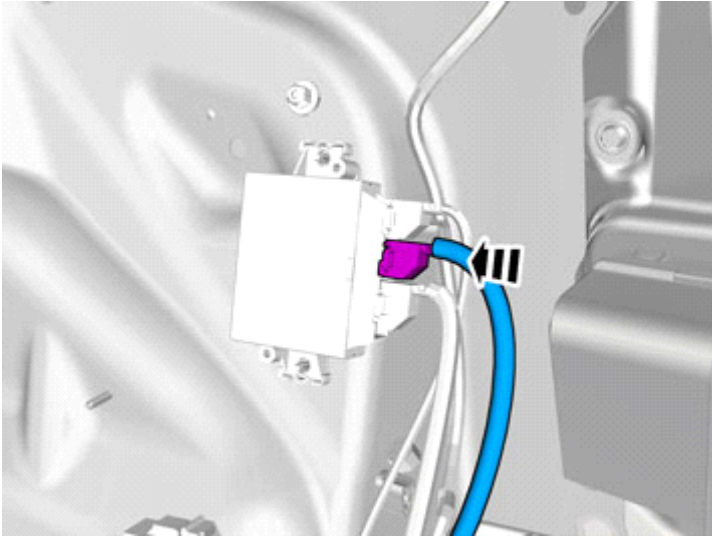
Connect the connectors.



Installation instructions, accessories

Volvo Car Corporation Gothenburg, Sweden

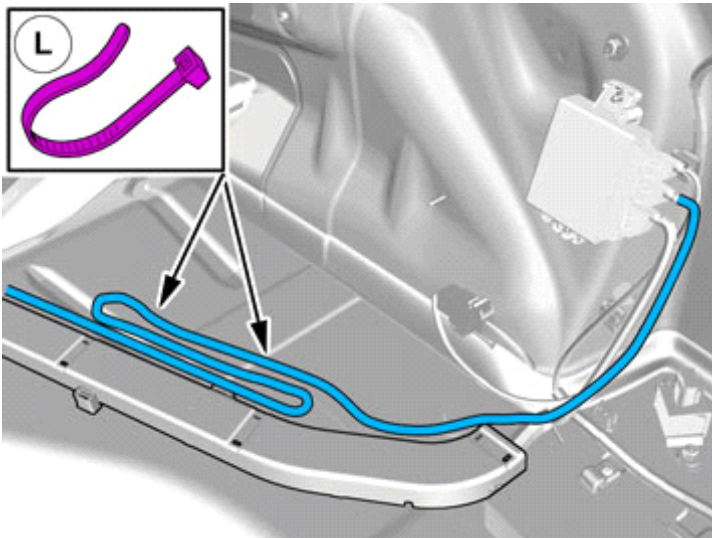
169



IMG-378618

Connect the prerouted cable.

170



IMG-378630

Note!

Extra cable length must be secured using cable ties.

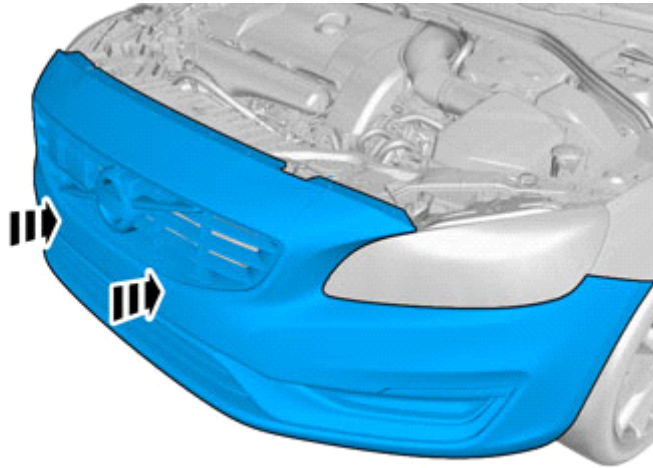
All vehicles



Installation instructions, accessories

Volvo Car Corporation Gothenburg, Sweden

171

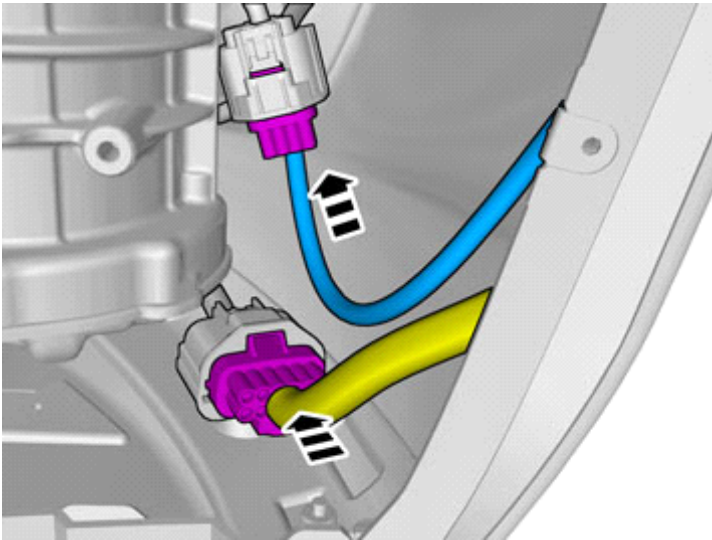


Place the Bumper Cover in position for installation.

IMG-378609

Left hand drive vehicles

172



Connect the connectors.

IMG-378276

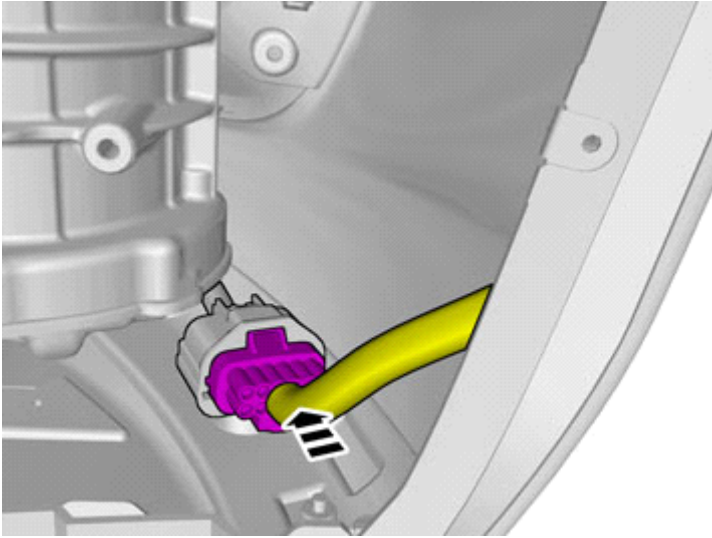
Right-hand drive vehicles



Installation instructions, accessories

Volvo Car Corporation Gothenburg, Sweden

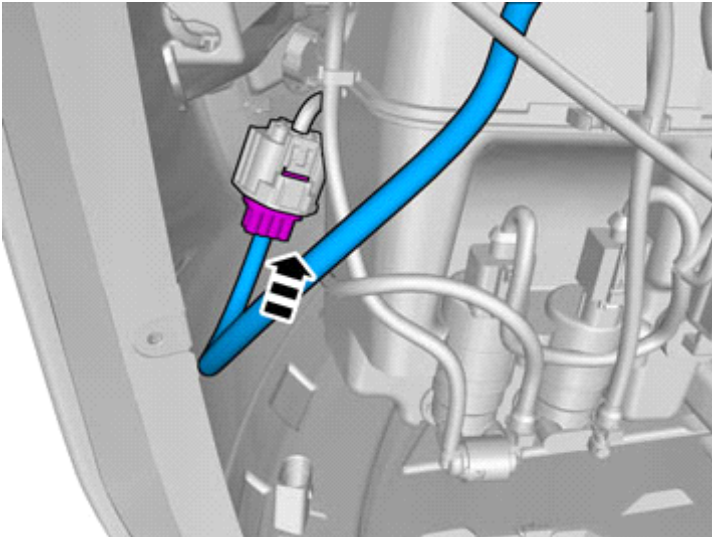
173



IMG-378280

Connect the connector.

174



IMG-378611

Connect the connector.

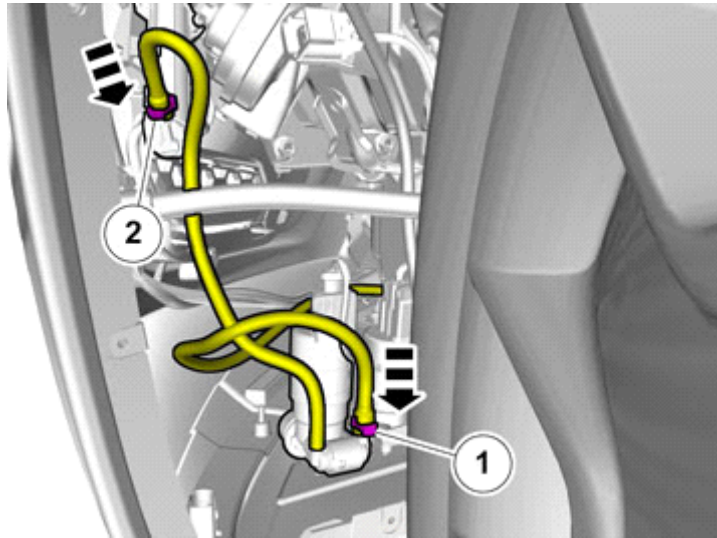
Vehicles with headlamp washers



Installation instructions, accessories

Volvo Car Corporation Gothenburg, Sweden

175

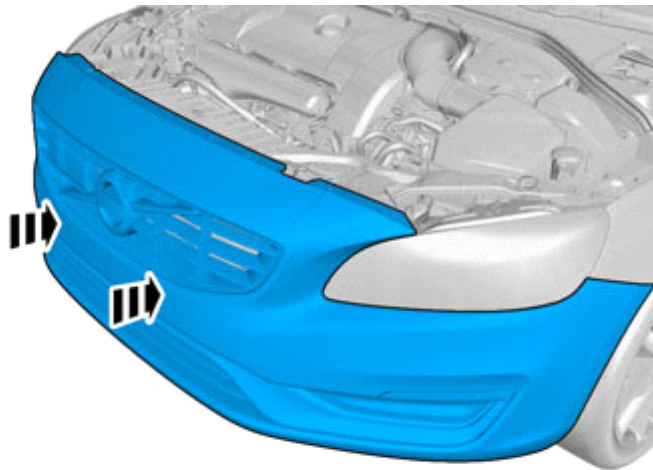


IMG-350323

Reinstall the removed parts in reverse order.

All vehicles

176



IMG-378609

Reinstall the bumper.



Installation instructions, accessories

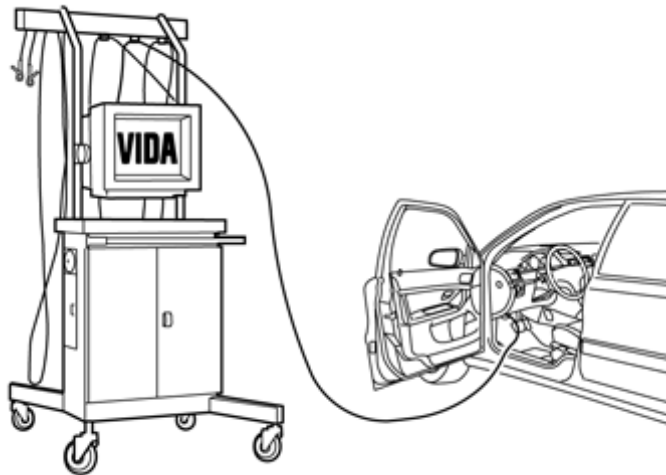
Volvo Car Corporation Gothenburg, Sweden

177

Reinstall the removed parts in reverse order.

IMG-377070

178



IMG-242268

Download software (application) for the accessory's function according to the service information in VIDA.

Order and download software according to: 31407004